



1 VALENTINES BUILDINGS  
BECHERS DRIVE  
AINTREE RACECOURSE  
BUSINESS PARK  
AINTREE  
LIVERPOOL  
L9 5AY

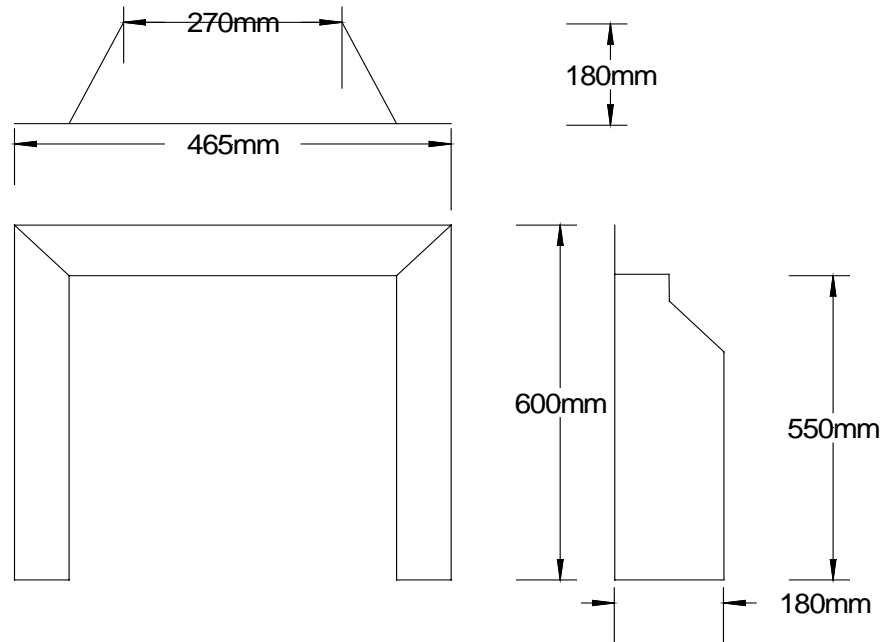
## **JEWEL**

**DECORATIVE FUEL EFFECT GAS FIRE**

THIS APPLIANCE IS CAT I<sub>2H</sub>  
FOR USE WITH NATURAL GAS  
ONLY

G20 AT 20mbar  
IN G.B. AND I.E.

## **INSTALLATION & SERVICING BOOK**



## **SIZES INCLUDING TRIM RADIANT BOX**

PLEASE READ THESE INSTRUCTIONS CAREFULLY BEFORE YOU START  
INSTALLING THE APPLIANCE.  
KEEP THIS BOOKLET HANDY FOR FUTURE REFERENCE

## TECHNICAL DATA

GAS TYPE:	NATURAL GAS
GAS PRESSURE:	20mbar
CONNECTION	8mm TUBE
INJECTOR manual control:	CAT 82/460 BRAY
INJECTOR remote control:	CAT 82/440 BRAY
HEAT INPUT	6.9kW HIGH 4.1kW LOW

CAT 1<sub>2H</sub> DATA BADGE ON FRONT BOTTOM SECTION OF APPLIANCE

## IMPORTANT NOTES

THIS APPLIANCE IS FITTED WITH AN ATMOSPHERE SENSING DEVICE AND CAN ONLY BE FITTED IN CONJUNCTION WITH THE FOLLOWING FLUES.

CONVENTIONAL BRICK OR STONE CHIMNEY.

A PRE CAST FLUE CONFORMING TO BS 1289 PT 1

OR A METAL FLUE BOX CONFORMING TO BS715

A NON COMBUSTIBLE HEARTH MUST BE PROVIDED TO COMPLY WITH THE BUILDING REGULATIONS OR A SUITABLE PROPRIETARY FIRE SURROUND WITH 100 DEGREES C RATING.

THE CHIMNEY OR FLUE (UNLESS NEW) MUST BE SWEEPED BEFORE INSTALLATION, IF IT HAS BEEN USED FOR SOLID FUEL

### INSTALLER

THIS APPLIANCE MUST BE INSTALLED BY A COMPETENT PERSON IE. A C.O.R.G.I. REGISTERED INSTALLER IN ACCORDANCE WITH THE CURRENT EDITION OF THE GAS SAFETY (INSTALLATION AND USE) REGULATIONS OR THE RULES IN FORCE. FAILURE TO DO SO COULD LEAD TO PROSECUTION.

### VENTILATION GREAT BRITAIN

NO SPECIAL VENTILATION BRICKS OR VENTS ARE NORMALLY REQUIRED INTO THE ROOM CONTAINING THE APPLIANCE, PROVIDED NORMAL ADVANTAGEOUS ROOM VENTILATION EXISTS, THE INSTALLER MUST SATISFY THIS POINT BY A MANDATORY SPILLAGE TEST.

**IRELAND.** PURPOSE PROVIDED VENTILATION MUST BE PROVIDED AND MUST HAVE A MINIMUM FREE AREA OF 100CM<sup>2</sup>

### WARNING

**THIS APPLIANCE HAS A NAKED FLAME, AS WITH ALL SUCH FIRES IT IS RECOMMENDED THAT A FIREGUARD SHOULD BE USED FOR THE PROTECTION OF CHILDREN, THE ELDERLY AND INFIRM. FIRE GUARDS SHOULD CONFORM TO BS8423 2002 (FIREGUARDS FOR FIRES AND HEATING APPLIANCES FOR DOMESTIC USE-SPECIFICATION)**

### INSTALLATION REQUIREMENTS

#### PRE CAST FLUES

A PRECAST FLUE CONFORMING TO THE REQUIREMENTS OF BS 1289 PART 1.FOR DETAILS OF THE DIMENSIONS REQUIRED TO LOCATE POSITION OF THE APPLIANCE WITHIN THE OPENING/STARTER BLOCKS SEE FIG 1.

WITH A MINIMUM 3 METERS EFFECTIVE HEIGHT.

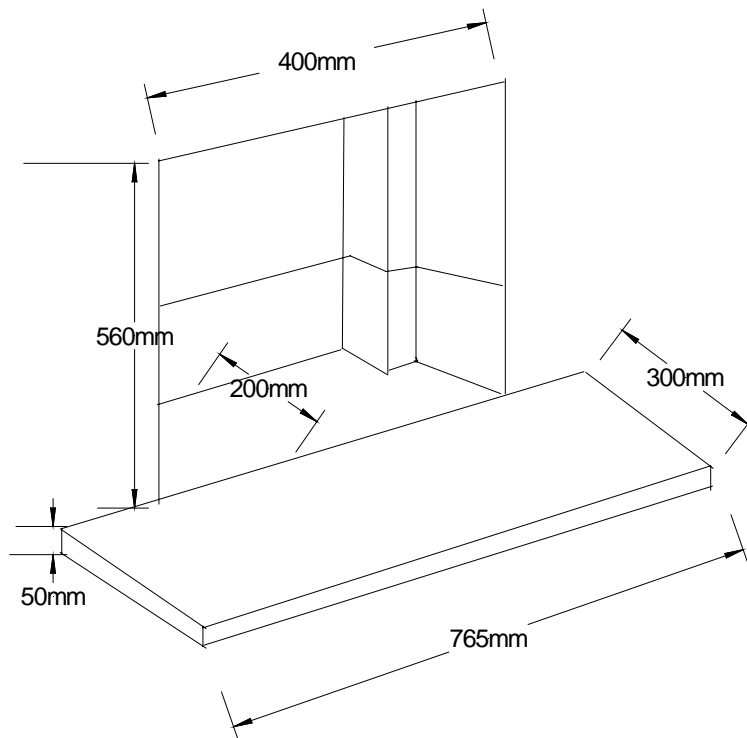


FIG 1

#### NOTE

AN INSPECTION SHOULD BE MADE TO ENSURE THAT THE INTERNAL WALLS OF THE FLUE ARE CLEAR OF MORTAR FANGS PRIOR TO INSTALLING THE APPLIANCE.

A 50mm SPACER CAN BE FITTED TO ALLOW MORE DEPTH IF REQUIRED USING THE FOLLOWING PROCEDURE.

MARK POSITION OF FLANGE HOLES, DRILL AND PLUG AND FIX SPACER USING FOAM SEAL SUPPLIED. THEN SCREW FIRE TO SPACER SEALING WITH FOAM SEAL SUPPLIED AND SCREWS SUPPLIED WITH SPACER.

### CONVENTIONAL CHIMNEY

A CONVENTIONAL BRICK OR STONE CHIMNEY AS USED FOR SOLID FUEL APPLIANCE WITH A MINIMUM EFFECTIVE CROSS SECTIONAL DIMENSION OF 225\*225mm, WITH A MINIMUM OF 3 METERS EFFECTIVE HEIGHT.

A LINED FLUE WITH A MINIMUM DIAMETER OF 125mm WITH THE FIREPLACE COMPONENTS CONFORMING TO BS 1251

A BUILDERS OPENING A MINIMUM OF 560mm HIGH AND 400mm WIDE WITH A MINIMUM DEPTH OF 230mm TO ALLOW SUFFICIENT VOLUME OF DEBRIS COLLECTION.

TO OBTAIN THIS DEPTH IT IS NECESSARY TO REMOVE THE CHAIRBRICK.(EXCEPT WHEN INSTALLING FIRETRAY ONLY)  
ANY PERMANENT FLUE RESTRICTION OR VARIABLE DAMPER MUST BE REMOVED OR LOCKED FULLY OPEN.

THE CHIMNEY MUST BE SWEEPED PRIOR TO INSTALLATION IF NOT NEW.

THE CHAIRBRICK MUST BE REMOVED ON ALL INSTALLATIONS.

**EXCEPT WHEN INSTALLING FIRETRAY ONLY**  
**WHEN INSTALLING FIRETRAY THE FOLLOWING HEARTH AND**  
**HEIGHT DIMENSIONS MUST BE ADHERED TOO**

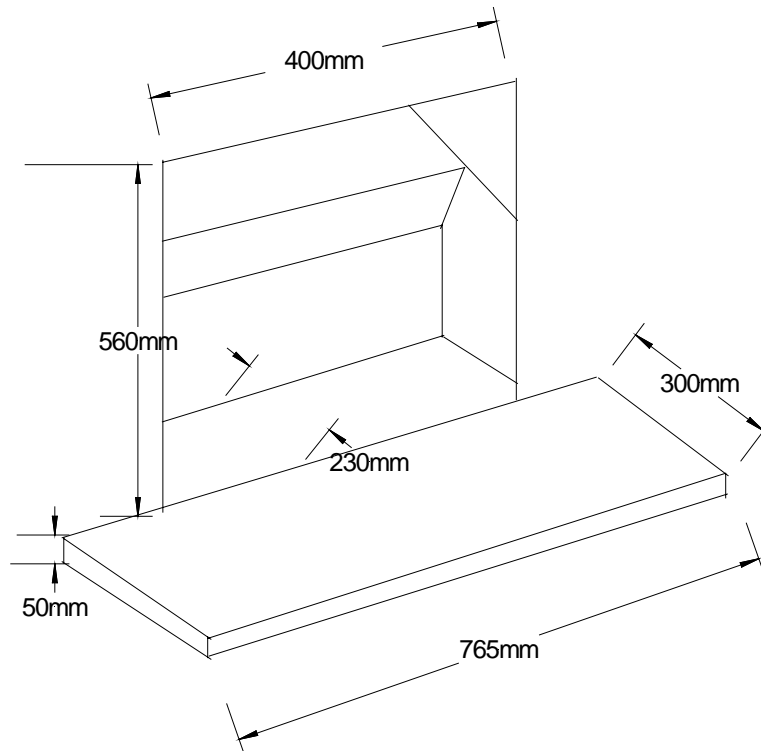


fig 2

INSTALLATION REQUIREMENTS FIRETRAY ONLY

THE JEWEL FIRETRAY MAY BE INSTALLED INTO A STANDARD FIREBACK OR HOT BOX INSTALLED WITH A CERAMIC FIRE BACK

THE INSTALLATION MUST ADHERE TO OPENING SIZES IN FIG 2

THE RELEVANT BRITISH STANDARDS MUST BE FOLLOWED

BS 5871 :PART 3

BS 5440: PART 1 AND 2

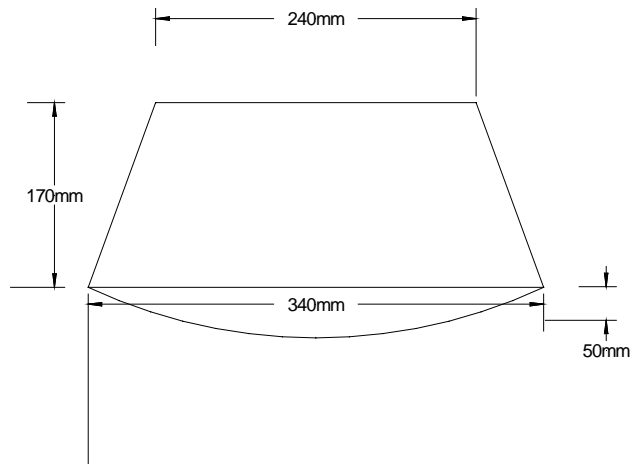
BS 6891

BS 8303

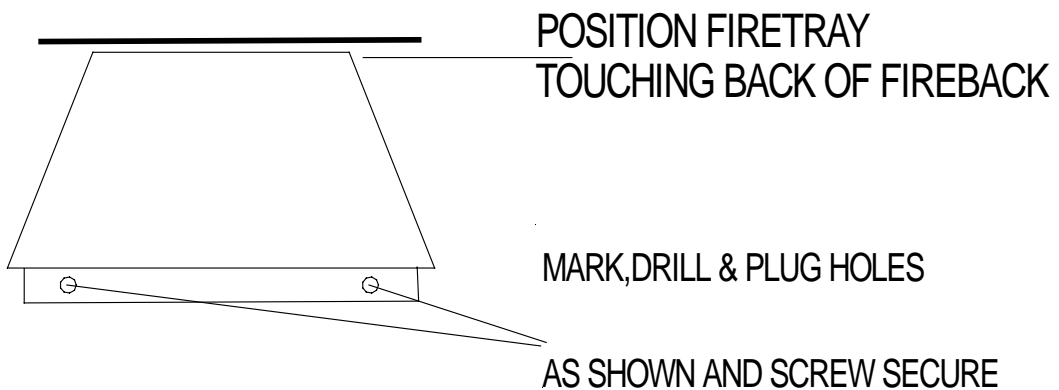
BS 1251

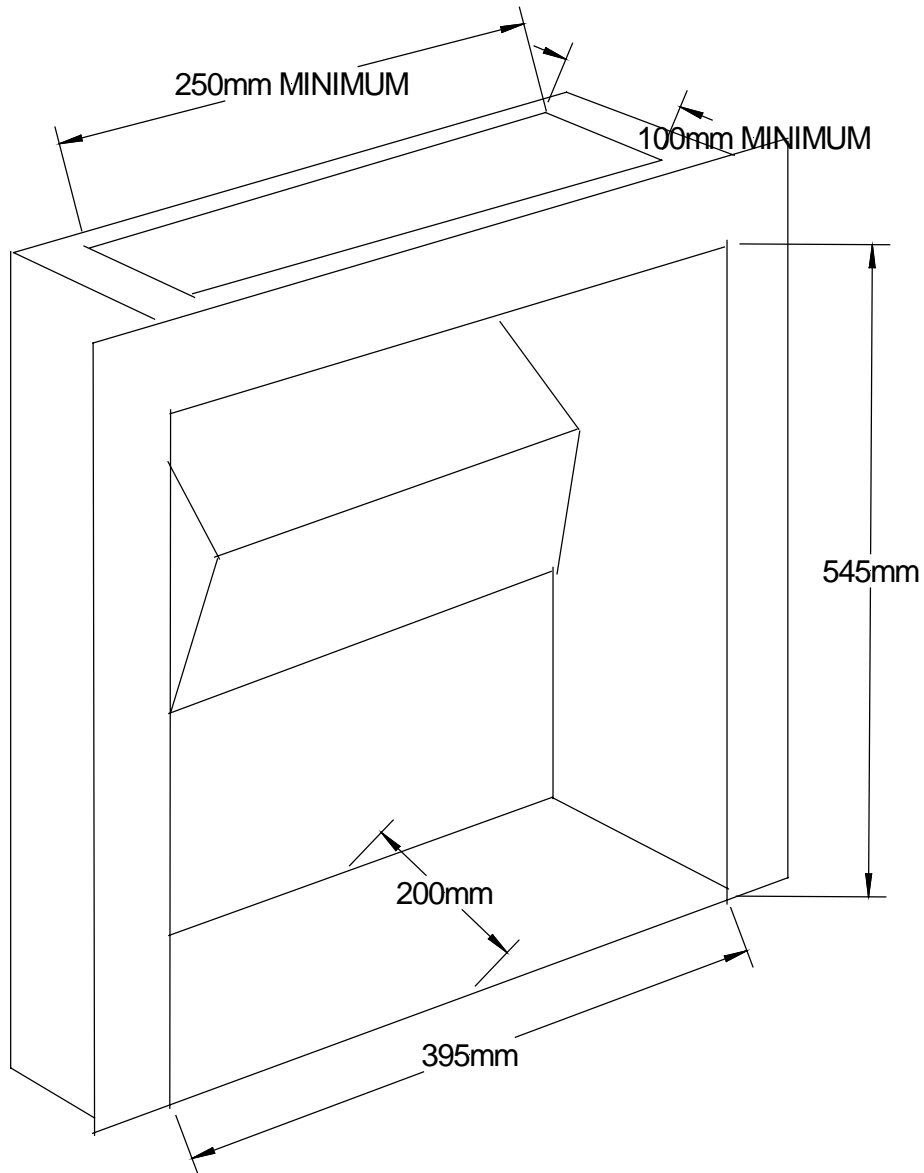
AND I.S 813 FOR IRELAND

FIRE TRAY SIZES



**TOP VIEW**





**A CERAMIC FIREBACK TO BS1251 INSTALLED IN A METAL BOX ,CAN  
BE USED AS A HOTBOX TO HOUSE THE JEWEL FIRETRAY  
MUST BE TO THE DIMENSIONS SHOWN ABOVE**

A BRICK CHAMBER TO THE SIZES IN FIG 2 IN AN EXISTING BRICK OR STONE CHIMNEY A 125mm MINIMUM DIAMETER FLUE LINER CONFORMING TO BS715 MAY BE USED, PROVIDING IT IS SEALED AT THE TOP AND BOTTOM OF THE EXISTING BRICK OR STONE CHIMNEY.

**NOTE**

ANY OF THE ABOVE FLUES MUST NOT BE RESTRICTED BY DAMPERS OR REGISTER PLATES, THE FLUE MUST SERVE ONLY ONE APPLIANCE AND NOT HAVE ANY BRANCHES OR TRAPS WHICH MAY IMPEDE THE NATURAL DRAUGHT .IF ANY TERMINAL IS FITTED IT MUST BE SUITABLE FOR THE PURPOSE.

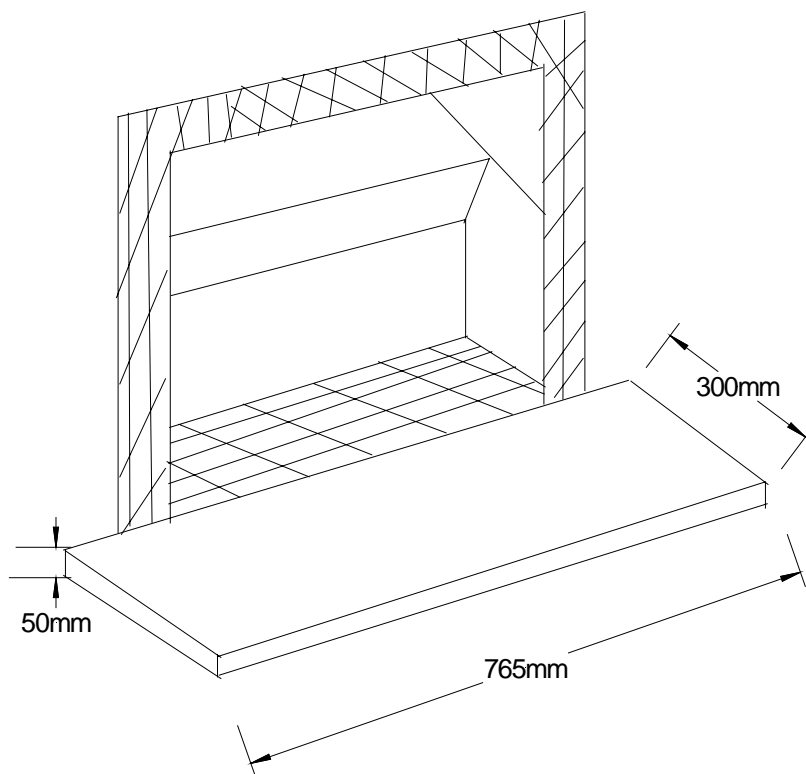


FIG 3

THE FRONT FACE SEAL MUST BE FLAT TO ENSURE A GOOD SEAL IS FORMED BETWEEN THE REAR AND BASE OF THE APPLIANCE AND CHIMNEY TO AVOID ANY REDUCTION IN THE NATURAL DRAUGHT. **ALWAYS ENSURE THE HEARTH IS LEVELED OFF TO HELP ENSURE NO NATURAL DRAUGHT IS LOST BELOW BASE (SEE FIG 3)**

A NON COMBUSTIBLE HEARTH MUST BE PROVIDED BENEATH THE APPLIANCE WITHIN THE FIREPLACE OPENING.  
A FIRE RESISTANT HEARTH MUST ALSO BE PROVIDED SYMMETRICALLY DISPOSED ABOUT THE FIREPLACE OPENING A MINIMUM THICKNESS OF 12mm WITH THE PERIMETER 50mm ABOVE THE FLOOR LEVEL  
THE WIDTH MUST EXTEND A MINIMUM OF 150mm EITHER SIDE OF THE



FIREPLACE OPENING AND A DEPTH OF 300mm FROM THE FUEL BED ANY COMBUSTIBLE MATERIAL MUST BE REMOVED ABOVE THE OPENING TO A HEIGHT OF 900 mm ABOVE THE HEARTH LEVEL.

PURPOSE BUILT SUPERIMPOSED FIRE RESISTANT HEARTH AND BACK PANELS, SPECIFIED AS SUITABLE BY THE MANUFACTURERS MAY BE USED, OR A SUITABLE PROPRIETARY FIRE SURROUND WITH A 100 DEGREES C RATING.

CARE SHOULD BE TAKEN TO PREVENT ANY DAMAGE BEING CAUSED TO SURROUNDING SOFT FURNISHINGS OR DECORATION. MANY EMBOSSED VINYL WALL COVERINGS MAY BECOME DISCOLOURED IF PLACE TOO CLOSE TO THE APPLIANCE

#### CHECK FLUE

CHECK THAT THE CHIMNEY CONFORMS TO THE REQUIRED SPECIFICATIONS AS PREVIOUSLY STATED.

EXAMINE THE CONDITION AND CARRY OUT ANY REMEDIAL WORK IF THE FLUE HAS BEEN USED FOR SOLID FUEL IT MUST BE SWEEPED AND A SMOKE TEST CARRIED OUT TO CHECK THAT SATISFACTORY SMOKE CLEARANCE HAS BEEN ESTABLISHED.

IF ALL THE SMOKE IS NOT DRAWN INTO THE FLUE , PRE HEAT THE FLUE WITH A BLOW TORCH OR SIMILAR AND RE CHECK, IF THERE IS ANY UNCERTAINTY EXAMINE FOR THE CAUSE AND IF NECESSARY SEEK EXPERT ADVICE.

#### GAS SUPPLY

IT IS RECOMMENDED A CONCEALED CONNECTION IS MADE USING SEMI RIGID TUBING ON THE LEFT SIDE OF THE APPLIANCE TAKING INTO ACCOUNT THE REQUIREMENTS OF BS 6891 1988 DEALING WITH ENCLOSED PIPES.

AN ISOLATING VALVE IS BUILT IN TO THE APPLIANCE AS PART OF THE PRESSURE TEST POINT ELBOW.

#### SECURE FIRE TO FIREPLACE

MARK POSITION OF FLANGE HOLES, DRILL AND PLUG AND FIX FIRE TO FIREPLACE ENSURING A GOOD SEAL USING FOAM SEAL SUPPLIED.

#### CHECKING GAS PRESSURE AND SOUNDNESS

REMOVE THE PRESSURE TEST POINT SCREW FROM THE INLET ELBOW AND CONNECT PRESSURE GAUGE.

TURN ON GAS TO APPLIANCE.

ROTATE THE CONTROL TO THE IGNITION POSITION AND PUSH IN TO ALLOW THE AIR IN THE PIPEWORK TO BE PURGED.

PUSH IN PIEZO IGNITION SWITCH

CHECK THAT THE ELECTRODE IS SPARKING.

CONTINUE SPARKING UNTIL PILOT IGNITION IS ESTABLISHED.

TURN THE GAS CONTROL KNOB ON TO THE HIGH POSITION AND ALLOW TO RUN FOR FIVE MINUTES.

CHECK THE INLET PRESSURE IS 20 MBAR. +/- 1mbar

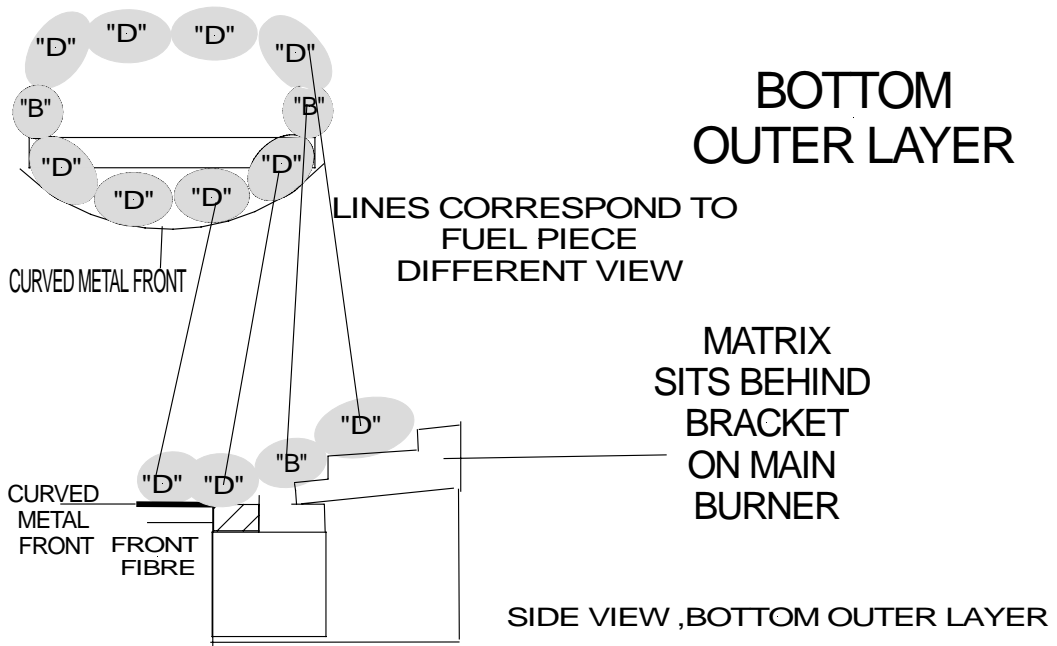
CHECK FOR GAS SOUNDNESS.

TURN OFF GAS SUPPLY, DISCONNECT PRESSURE GAUGE AND REPLACE PRESSURE TEST POINT SCREW.

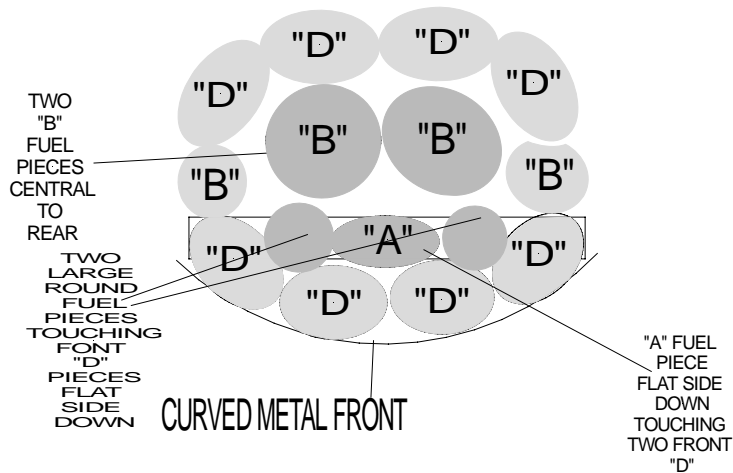
## COAL BED LAYOUT

PERIODICALLY SMALL DEPOSITS OF SOOT MAY GATHER ON THE FUEL BED AND BURNER, THIS MUST BE REMOVED BY REMOVING FUEL AND BRUSHING ANY DEPOSITS WITH A SOFT BRUSH AND VACUUMING THE BURNER, THEN REPLACE FUEL USING THE FOLLOWING PROCEDURE.

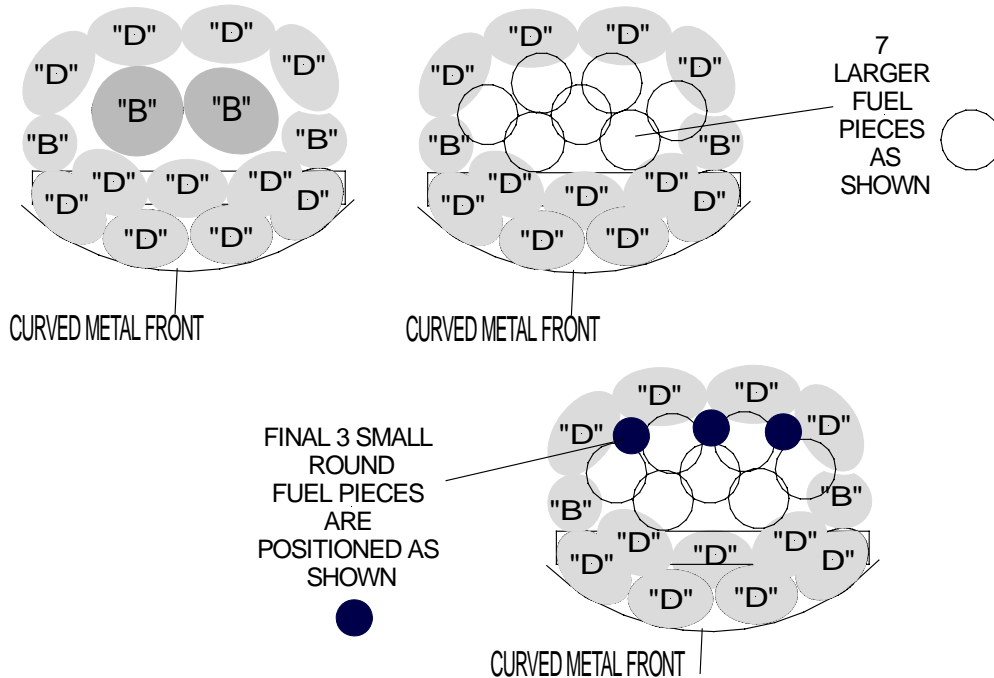
### JEWEL GAS FIRE FUEL BED LAYOUT TOP VIEW



### JEWEL GAS FIRE FUEL BED LAYOUT TOP VIEW MIDDLE FUEL PIECES



## JEWEL GAS FIRE FUEL BED LAYOUT TOP VIEW TOP FUEL PIECES



### TEST FOR SPILLAGE

CHECK FOR SATISFACTORY CLEARANCE OF COMBUSTION PRODUCTS  
CLOSE ALL DOORS AND WINDOWS IN THE ROOMS CONTAINING THE  
FIRE.

TURN ON GAS FIRE AND SET THE CONTROL TO HIGH

LEAVE THE FIRE BURNING FOR FIVE MINUTES AND INSERT A LIGHTED  
SMOKE MATCH ON A VERTICAL PLANE

50 mm DIRECTLY UNDER FRONT EDGE OF CANOPY AND 50mm FROM  
EITHER SIDE OF THE OPENING

ALL SMOKE MUST BE DRAWN INTO THE FLUE

IF SPILLAGE OCCURS ALLOW A FURTHER TEN MINUTES

SHOULD SPILLAGE STILL OCCUR TURN OFF THE FIRE AND SEEK  
EXPERT ADVICE

IF AN EXTRACTOR FAN IS SITUATED IN THE ROOM , THIS TEST SHOULD  
BE REPEATED WITH THE FAN RUNNING

IF THERE IS A ROOM WITH AN EXTRACTOR FAN, THE TEST SHOULD BE  
REPEATED WITH ALL THE DOORS TO THAT ROOM OPENED AND THE  
EXTRACTOR FAN RUNNING

## FITTING TRIMS

FIT THE TRIM WITH FOUR MAGNETS PLACED ON THE VERTICAL SIDE FLANGES OF THE FIREBOX (ONE AT THE TOP AND ONE AT THE BOTTOM)

OFFER THE TRIM UP AND PUSH INTO POSITION

PLACE FRET CENTRALLY IN FRONT TO COVER THE CONTROLS

### INSTRUCT USER

DEMONSTRATE THE LIGHTING AND EXTINGUISHING PROCEDURES TO THE USER AND REMOVAL AND REFITTING OF THE TRIM FOR CLEANING.

THE APPLIANCE SHOULD BE OPERATED WITH THE GAS CONTROL NOT TURNED ON MORE THAN LOW FOR THE FIRST FIVE HOURS OF USE TO ALLOW THE FIBRE FUEL TO CURE SLOWLY.

THE CURING EFFECT OF HEATING THE FUEL AND OTHER CERAMICS COMPONENTS WILL CAUSE AN INITIAL ODOR.

THE APPLIANCE SHOULD BE SERVICED ANNUALLY BY A COMPETENT PERSON IN ACCORDANCE WITH THESE INSTRUCTIONS AND THE APPLIANCE CHECKED FOR SPILLAGE IN ACCORDANCE WITH THE METHOD DETAILED IN THESE INSTRUCTIONS

HAND THESE INSTRUCTIONS TO THE USER.

## SERVICING NOTES

### **GENERAL NOTES.**

SERVICING SHOULD BE CARRIED OUT ANNUALLY BY A COMPETENT PERSON SUCH AS A CORGI REGISTERED PERSON IN ACCORDANCE WITH THE RELEVANT REGULATIONS, TO ENSURE THE SAFE AND CORRECT OPERATION OF THE APPLIANCE

BEFORE COMMENCING ANY SERVICE OR REPLACEMENT OF PARTS TURN OFF GAS SUPPLY TO FIRE

AFTER SERVICING CHECK FOR GAS SOUNDNESS

AT LEAST ONCE A YEAR CHECK FOR DEBRIS

IF SOOT HAS ACCUMULATED CHECK TO ESTABLISH CAUSE AND RECTIFY IF NECESSARY CLEAN FLUE OR CHIMNEY ACCORDINGLY

EXAMINE THE FUEL FOR SIGNS OF CRACKING AND REPLACE IF NECESSARY. SEE FUEL LAYOUT PROCEDURE BEFORE ATTEMPTING TO REPLACE FUEL WHICH SHOULD ONLY BE REPLACED AS A COMPLETE SET WITH NO EXTRA FUEL ADDED.

### **1 REMOVAL OF FUEL PIECES**

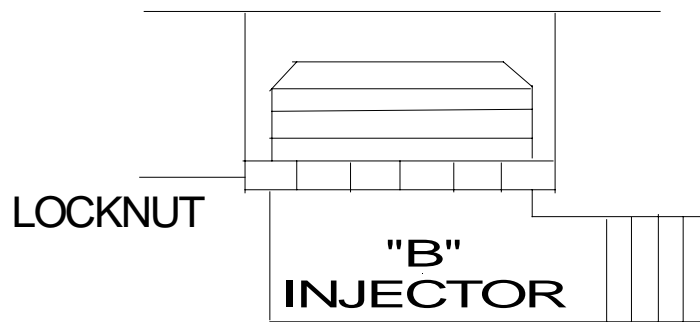
REMOVE LOOSE FUEL PIECES  
REMOVE FRONT FIBRE BASE  
REMOVE MAIN FIBRE BASE

### **2 REPLACEMENT OF GAS CONTROL**

REMOVE FUEL SET AS 1  
DISCONNECT FIRE AT INLET ELBOW  
REMOVE FIRETRAY BY UNSCREWING TWO SCREWS AT FRONT BOTTOM SECTION OF FIRE TRAY  
REMOVE CONTROL KNOB, DISCONNECT GAS CONNECTIONS TO VALVE INCLUDING PILOT CONNECTION AND THERMOCOUPLE CONNECTION  
REMOVE LOCKNUT HOLDING GAS CONTROL TO FRONT BOTTOM SECTION.  
RE ASSEMBLE IN REVERSE ORDER  
TURN ON GAS SUPPLY. CHECK FOR SOUNDNESS AND RE-COMMISSION APPLIANCE

### **3 REPLACEMENT OF INJECTOR**

REMOVE FUEL PIECES SEE 1  
REPEAT 2 REMOVE GAS CONTROL  
DISCONNECT GAS CONNECTION TO INJECTOR  
UNSCREW INJECTOR "B" WHILST AT THE SAME TIME HOLDING LOCKNUT WITH A SPANNER AND CLEAN OR REPLACE.  
SEE DIAGRAM BELOW.



RE ASSEMBLE IN REVERSE ORDER  
TURN ON GAS SUPPLY. CHECK FOR SOUNDNESS AND RE-COMMISSION THE FIRE.

### **REPLACEMENT OXY PILOT ASSEMBLY**

DISCONNECT FIRE AT INLET ELBOW  
REMOVE FIRETRAY  
DISCONNECT THERMOCOUPLE AT GAS VALVE  
DISCONNECT GAS CONNECTION FROM PILOT ASSEMBLY  
REMOVE IGNITOR LEAD FROM PILOT ASSEMBLY  
UNDO SCREWS SECURING OXY PILOT TO FIRETRAY  
RE-ASSEMBLE IN REVERSE ORDER  
TURN ON GAS SUPPLY, CHECK FOR SOUNDNESS AND RE-COMMISSION APPLIANCE

**CLEANING**

BEFORE CLEANING ANY PART OF THE FIRE ,ENSURE THAT THE GAS IS TURNED OFF AND FIRE IS COOL.

**BLACK PAINT.**

USE ONLY CLEAN DAMP CLOTH ,DO NOT USE ANY CLEANING AGENTS

**BRASS TRIM**

USE BRASSO,ENSURING YOU REMOVE THE BRASS TRIM FROM THE APPLIANCE BEFORE CLEANING

**IMPORTANT**

THE PAINT AND BRASS FINISH ARE DURABLE BUT WILL BE DAMAGED IF PLASTER,CEMENT,OR WALLPAPER PASTE COMES IN CONTACT WITH IT

**COALS AND CERAMICS**

IF FOR ANY REASON IT IS NECCESARY TO REMOVE CERAMIC PARTS,THEN BEFORE REPLACEMENT THE BURNER SHOULD BE CHECKED THAT NO PARTICLES HAVE DEPOSITED ON THE BURNER AND IF NECCESARY VACUUM THEM CAREFULLY,THEN REFER TO INSTRUCTIONS FOR REPLACING CERAMICS.

CERAMICS SHOULD BE CLEANED BY SHAKING ANY DEBRIS NO BRUSHING OR VACUUMING SHOULD BE PERFORMED .

**INSTALLER SPARE PARTS**

FUEL BED	JEW001	MAIN MATRIX	JEW002
FRONT FIBRE	JEW 003	INSTUCTIONS	JEW 004
BRASS TRIM	JEW 005	ODS COMPLETE	JEW 006
GAS VALVE	JEW 007		
INJECTOR REMOTE CONTROL	JEW007 CAT 82/440		
INJECTOR MANUAL CONTROL	JEW008 CAT 82/460		



7D BECHERS DRIVE  
AINTREE RACECOURSE  
BUSINESS PARK  
AINTREE  
LIVERPOOL  
L9 5AY

## **JEWEL**

**DECORATIVE FUEL EFFECT GAS FIRE**

THIS APPLIANCE IS CAT I<sub>2H</sub>  
FOR USE WITH NATURAL GAS  
ONLY

G20 AT 20mbar  
IN G.B. AND I.E.

**USERS INSTRUCTIONS**

## USERS INSTRUCTIONS FOR JEWEL GAS APPLIANCE

YOUR JEWEL GAS APPLIANCE IS A DECORATIVE LIVE FUEL EFFECT GAS FIRE ,DUE TO ITS NEWNESS THE FIRE MAY GIVE OFF SLIGHT SMELL FOR A SHORT PERIOD AFTER INSTALLATION .THIS IS QUITE NORMAL AND WILL DISAPPEAR AFTER A FEW HOURS OF OPERATION. THE APPLIANCE TO WHICH THESE INSTRUCTIONS APPLY MUST BE INSTALLED BY A COMPETENT PERSON(EG. A C.O.R.G.I MEMBER IN ACCORDANCE WITH THE CURRENT EDITION OF THE GAS SAFETY INSTALLATIONS AND USE REGULATIONS OR THE RULES IN FORCE)APPROVED BY THE HEALTH AND SAFETY EXECUTIVE AND MUST BE IN ACCORDANCE WITH THE INSTALLATION AND SERVICING INSTUCTIONS SUPPLIED.

SERVICING SHOULD BE CARRIED OUT REGULARLY BY A COMPETENT PERSON ( EG A C.O.R.G.I MEMBER)IN ACCORDANCE WITH THE CURRENT EDITION OF THE GAS SAFETY (INSTALLATION AND USE) REGULATIONS OR THE RULES IN FORCE.TO ENSURE THE CORRECT AND SAFE OPERATION OF THE APPLIANCE .DEBRIS SHOULD ALSO BE REMOVED FROM BEHIND THE APPLIANCE AT REGULAR INTERVALS.

BEFORE INSTALLATION OF THE APPLIANCE THE CHIMNEY MUST BE SWEPT AND THEN INSPECTED REGURLARLY TO ENSURE THAT IT REMAINS FREE OF OBSTRUCTION.

A FIRE GUARD COMPLYING TO BS8423 ,MUST BE FITTED IF THE ROOM WILL BE OCCUPIED BY YOUNG CHILDREN THE ELDERLY ,OR INFIRM PEOPLE. ON NO ACCOUNT MUST ANY RUBBISH BE THROWN ON TO THE FIRE OR THE LAYOUT OF THE FIREBED DISTURBED.

### OPERATING INSTRUCTIONS.

THE APPLIANCE DATA BADGE IS POSITIONED ON THE FRONT BOTTOM SECTION OF THE APPLIANCE AND CARRIES THE CONTROL KNOB POSITIONS.THE FULL LIGHTING PROCEDURE IS AS FOLLOWS.

- 1.PUSH CONTROL KNOB IN AS FAR AS POSSIBLE ON GAS CONTROL
- 2.TURN KNOB ANTICLOCKWISE TO IGNITION POSITION STILL KEEPING KNOB IN AS FAR AS POSSIBLE.
- 3.THE IGNITION BUTTON WILL IGNITE THE PILOT WITH THIS OPERATION **KEEP THE KNOB PRESSED IN FOR 15 SECONDS**.IF THE PILOT FAILS TO LIGHT TURN THE CONTROL KNOB CLOCKWISE TO THE OFF POSITION, WAIT 3 MINUTES AND REPEAT THE PROCEDURE
- 4.WHEN THE PILOT FLAME IS ALIGHT THE CONTROL KNOB SHOULD BE ALLOWED TO SPRING OUT SLIGHTLY.TURN THE KNOB FULLY ANTICLOCKWISE TO THE HIGH POSITION.THE PILOT FLAME WILL THEN IGNITE THE MAIN BURNER.THE PILOT FLAME CAN BE VIEWED TO THE RIGHT OF THE FIRE JUST BEHIND THE FRONT LOG SET
- 5.THE APPLIANCE CAN BE ADJUSTED BETWEEN HIGH AND LOW BY MOVING THE CONTROL KNOB TO SUIT,THE KNOB WILL NEED TO BE DEPRESSED SLIGHTLY TO MOVE FROM LOW HIGH AND IGNITION.
- 6.TO TURN THE FIRE OFF,DEPRESS THE KNOB SLIGHTLY AND TURN IT TO PILOT POSITION.
- 7.TO COMPLETELY EXTINGUISH THE FIRE DEPRESS THE KNOB SLIGHTLY AND TURN TO OFF POSITION.
- 8.SHOULD THE SPARK IGNITION FAIL TO OPERATE.TURN THE CONTROL KNOB TO THE OFF POSITION AND WAIT 3 MINUTES.TURN THE KNOB TO THE IGNITION POSITION AND THEN LIGHT THE PILOT WITH A TAPER."LIGHTING THE PILOT



WITH A TAPER IS AN EMERGENCY MEASURE ONLY AND THE APPLIANCE SHOULD BE SERVICED AS SOON AS POSSIBLE".AND THEN PROCEED AS STATED IN PARAGRAPHS 2/7.

**IMPORTANT .THIS APPLIANCE IS FITTED WITH AN OXYGEN DEPLETION SENSOR INCORPORATED INTO THE PILOT BODY.SHOULD THE FIRE REEATEDLY EXTINGUISH ITSELF THEN SPECIALIST ADVISE SHOULD BE SOUGHT,AS THIS MAY INDICATE SPILLAGE INTO THE ROOM OF COMBUSTION PRODUCTS.**

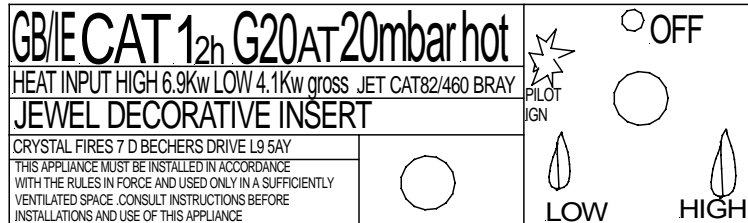


FIG 1

### CLEANING

BEFORE CLEANING ANY PART OF THE FIRE ,ENSURE THAT THE GAS IS TURNED OFF AND FIRE IS COOL.

#### BLACK PAINT.

USE ONLY CLEAN DAMP CLOTH ,DO NOT USE ANY CLEANING AGENTS

#### BRASS TRIM

USE BRASSO,ENSURING YOU REMOVE THE BRASS TRIM FROM THE APPLIANCE BEFORE CLEANING

#### IMPORTANT

THE PAINT AND BRASS FINISH ARE DURABLE BUT WILL BE DAMAGED IF PLASTER,CEMENT,OR WALLPAPER PASTE COMES IN CONTACT WITH IT

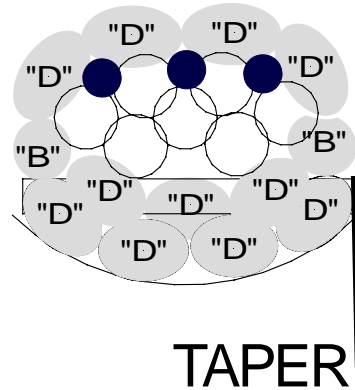
#### COALS AND CERAMICS

IF FOR ANY REASON IT IS NECCESARY TO REMOVE CERAMIC PARTS,THEN BEFORE REPLACEMENT THE BURNER SHOULD BE CHECKED THAT NO PARTICLES HAVE DEPOSITED ON THE BURNER AND IF NECCESARY VACUUM THEM CAREFULLY,THEN REFER TO INSTRUCTIONS FOR REPLACING CERAMICS.

CERAMICS SHOULD BE CLEANED WITH A SOFT BRUSH

# JEWEL GAS FIRE LIGHTING WITH TAPER

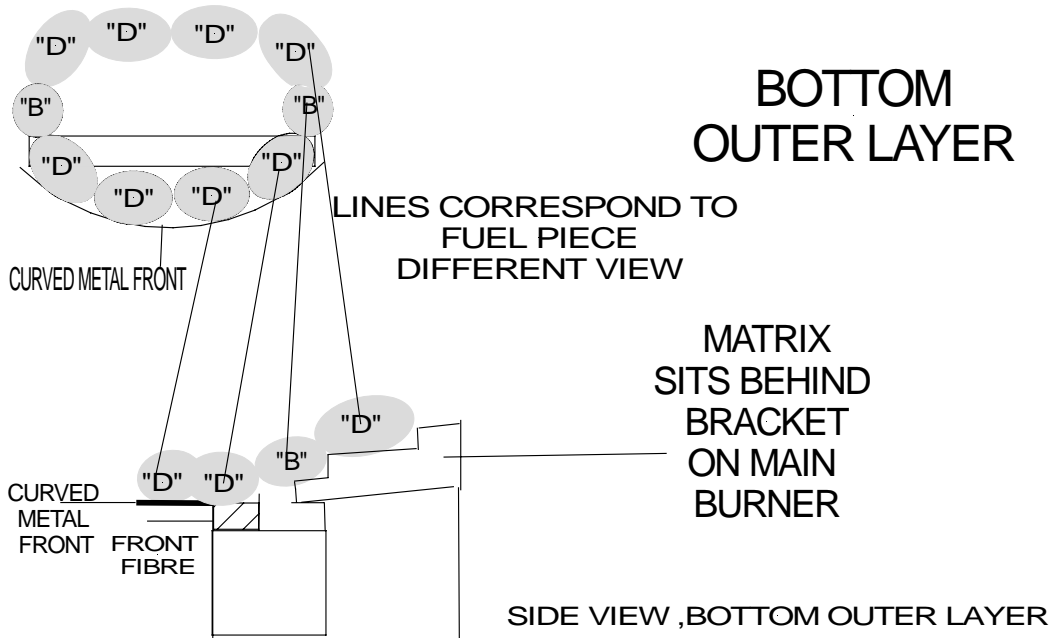
TO LIGHT WITH TAPER ,PUSH  
LIGHTED TAPER AS SHOWN  
WHILST FOLLOWING THE OPERATING  
INSTRUCTIONS



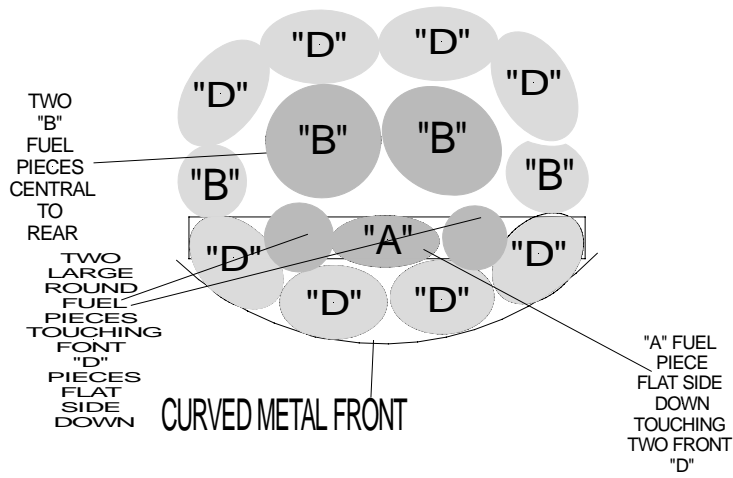
## COAL BED LAYOUT

PERIODICALLY SMALL DEPOSITS OF SOOT MAY GATHER ON THE FUEL  
BED AND BURNER, THIS MUST BE REMOVED BY REMOVING FUEL AND  
BRUSHING ANY DEPOSITS WITH A SOFT BRUSH AND VACUUMING THE  
BURNER, THEN REPLACE FUEL USING THE FOLLOWING PROCEDURE.

## JEWEL GAS FIRE FUEL BED LAYOUT TOP VIEW

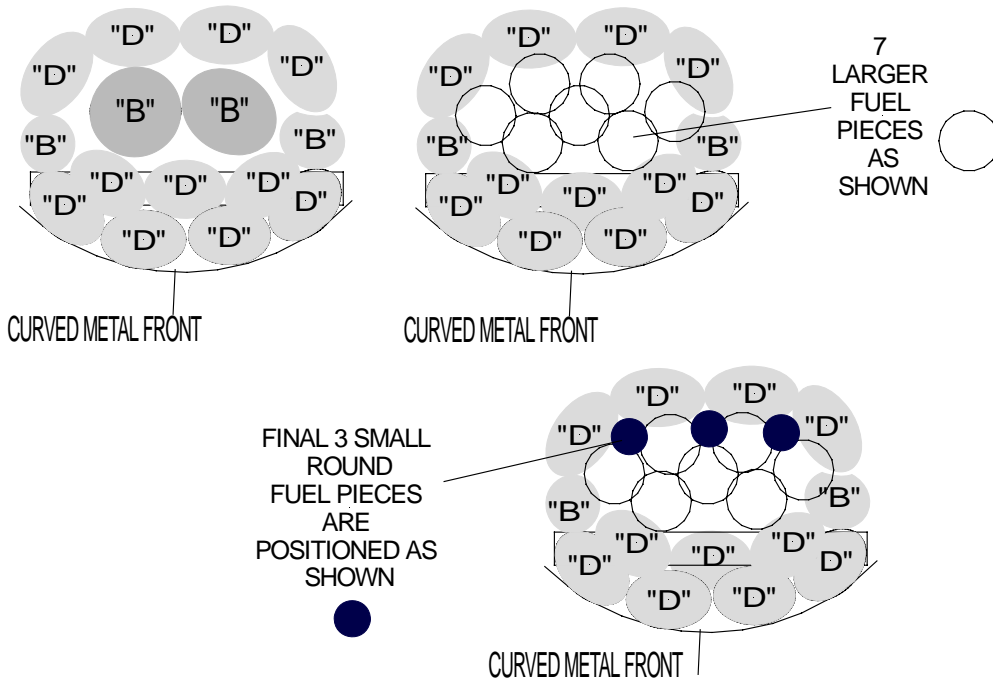


JEWEL GAS FIRE FUEL BED LAYOUT TOP VIEW  
MIDDLE FUEL PIECES



spss

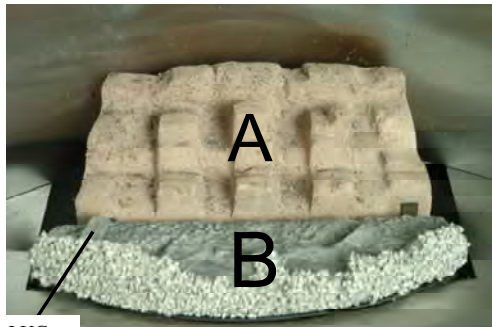
JEWEL GAS FIRE FUEL BED LAYOUT TOP VIEW  
TOP FUEL PIECES



CUSTOMER SPARE PARTS

FUEL BED	JEW001	MAIN MATRIX	JEW002
FRONT FIBRE	JEW 003	INSTUCTIONS	JEW 004
BRASS TRIM	JEW 005		

# DRIFTWOOD SET UP FOR SUNRISE/JEWEL/SUPER AND LAGOON.



LUG

**ALL PIECES MARKED UNDERNEATH WITH A LETTER**

**LEFT**

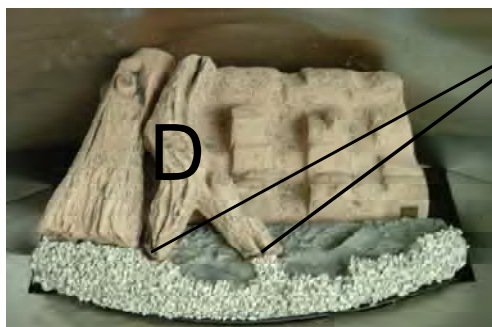
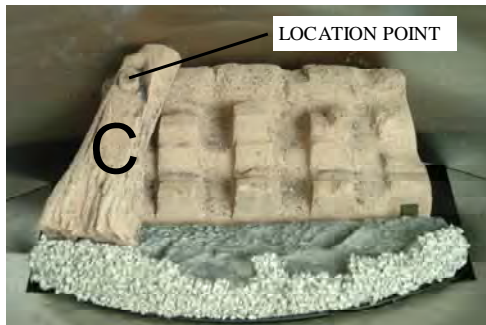
MAIN MATRIX (A) FITS AT REAR OF BURNER AS SHOWN, BEHIND THE TABS OF MATRIX BRACKET.

FRONT BASE (B) FITS AS SHOWN ENSURING BOTTOM IN CHANNEL OF MAIN BURNER WITH CUT OUTS OVER SCREWS

FRONT AND BACK ARE ALIGNED WHEN

**RIGHT**

WITH MATRIX AND FRONT BASE FITTED PIECE (C) IS FITTED TO THE LEFT HAND SIDE. THE FRONT BASE HAS A LUG AND THE UNDERSIDE OF (C) HAS A SLOT, THE (C) PULLS FORWARD AS FAR AS POSSIBLE TO TOUCH THE FRONT OF THE BASE AS SHOWN. THE REAR HAS A GROOVE CUT AT THE BACK AND THE MATRIX CAN BE MOVED SLIGHTLY SO (C) FALLS IN AND HAS CORRECT POSITIONING. THIS PROCESS ENABLES THE REAR MATRIX THE FRONT MATRIX AND DRIFTWOOD (C) TO ENSURE ALL OTHER PIECES ALIGN CORRECTLY.



**LEFT**

DRIFTWOOD (D) IS FITTED WITH TWO POINTS AS SHOWN FULLY FORWARD AND AS CLOSE TO PIECE (C) AS POSSIBLE THE PIECE WILL JUST SIT LYING ON THE PILLAR OF THE REAR MATRIX AND WILL BE TWISTED TO THE RIGHT AS MUCH AS POSSIBLE AND FIRMLY POSITIONED.



SLOT TO THE SHAPE OF (E)



**ABOVE**

PIECE (F) SITS TO THE RIGHT OF (E) INTO SHAPE OF SLOT MATCHING SHAPE OF DRIFTWOOD PIECE (F). THE REAR OF THE PIECE (F) SLOTS INTO INDENTATION ON REAR MATRIX.

THE PIECE IS PULLED FULLY FORWARD TO FRONT BASE

**LEFT**

PIECE (E) SITS INTO SLOT ON FRONT PIECE FOLLOWING THE ANGLE WITH THE SHAPE OF PIECE (E) THE LEFT SIDE BRANCH JUST SITS ON (D) WITH THE BRANCH GOING TO THE REAR BETWEEN THE TWO PILLARS ON THE MAIN MATRIX.



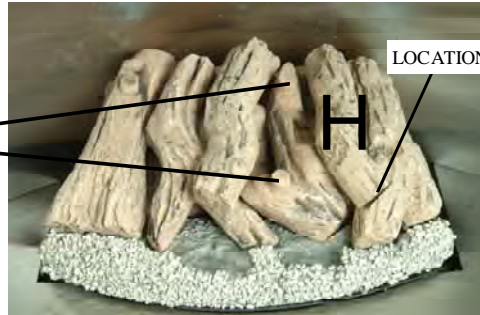
**LEFT**  
 DRIFTWOOD PIECE (G),SITS AS SHOWN PIECE G HAS A ROUND CUT OUT TO THE REAR FRONT AND PIECE (D) HAS A LOCATING POINT ,THE CUT OUT FITS ONTO THE LOCATING POINT WITH THE BRANCH RUNNING TO THE REAR AND SLOTTING BETWEEN DRIFTWOOD PIECES (D) & (E),

**LOCATION POINT ON PIECE (D) SEE PREVIOUS PICTURES**

**BELOW**  
 PIECE (H) SITS AS SHOWN ONTO THE LOCATION POINT & BETWEEN DRIFTWOOD PIECES (E) & (F).TWISTING FULLY TO THE RIGHT UNTIL FIRMLY POSITIONED

**BELOW**  
 PIECE (J)IS FITTED ON TOP OF PIECE (E) DIRECTLY ONTO LOCATING POINTS  
 PIECE I HAS TWO HOLES TO FIT DIRECTLY ON TO LOCATING POINTS FULLY DOWN AND FIRMLY IN PLACE

LOCATION POINTS



LOCATION POINT



**BELOW**  
 PIECE (I) FITS ON TOP OF PIECE(C) USING LOCATION POINT ON PIECE (C) AND HOLE IN PIECE (I). ENSURING IT IS FULLY LOCATED AND SITTING FIRM IN POSITION RESTING ON PIECE (C) AND PIECE (D) AS SHOWN BELOW

**BELOW**  
 SMALL PIECES (K) &(L) SIT AS SHOWN BELOW

WHEN ALL PIECES ARE FITTED THERE SHOULD BE LITTLE MOVEMENT OF ALL THE BOTTOM PIECES AND SOME SLIGHT MOVEMENT IF ANY ON THE TOP PIECES



OCCASIONALLY SMALL DEPOSITS OF SOOT MAY GATHER ON THE DRIFTWOOD PIECES,IF THIS HAPPENS PLEASE REMOVE WHEN COLD .ALL THE PIECES DUST WITH A SOFT PAINTBRUSH AND REPLACE IN ORDER USING THIS ARRANGEMENT .

# ROYAL COALS LAYOUT



ALL PIECES MARKED UNDERNEATH WITH A LETTER

**SHOWN LEFT**

MAIN MATRIX (A) FITS AT REAR OF BURNER AS SHOWN, BEHIND THE TABS OF MATRIX BRACKET AND SITTING FLAT  
 FRONT BASE (B) FITS AS SHOWN ENSURING BOTTOM IN CHANNEL OF MAIN BURNER WITH CUT OUTS OVER SCREWS



WITH MATRIX AND FRONT BASE FITTED PIECE (C) IS FITTED TO LEFT HAND SIDE  
 THE FRONT FITS SNUGLY INTO THE LUG ON FRONT BASE AND AS FAR FORWARD AS POSSIBLE .  
**LUG SHOWN ABOVE**  
 THE BACK IS LOCATED INTO THE GROOVE ON THE MAIN MATRIX (A).  
 WITH (C), FITTED THE REAR MATRIX CAN BE MOVED SLIGHTLY TO ALLOW THE PIECE (C) TO DROP INTO ITS CORRECT POSITION  
 THIS PROCESS ALLOWS ALL THREE PIECES TO BE ALIGNED CORRECTLY SO ENABLING THE FURTHER PIECES TO LINE UP CORRECTLY



PIECE (F) SITS TO THE RIGHT INTO SHAPE OF SLOT AT BOTTOM AND PULLED FULLY FORWARD WITH THE BACK SITTING ON REAR MATRIX (A)

SLOT AT FRONT



PIECE (D) FITS WITH THE TWO POINTS AS SHOWN FULLY FORWARD AND SITTING ON THE REAR MATRIX

TWO POINTS



(E) SITS BETWEEN (D) & (F) WITH THE STRAIGHT EDGE FITTING SNUGLY INTO THE FRONT PIECE CUT OUT AS SHOWN BELOW.  
 THE BACK SITS ON REAR PIECE AND LEFT BRANCH RESTS ONTO PIECE (D)

## ROYAL COALS LAYOUT

All pieces marked with a letter on underneath/arrow to face to rear



**G**

PIECE (G) SITS ON TOP OF PIECE (D) USING LOCATION POINT ON RIGHT BRANCH OF PIECE (D) AND HOLE IN PIECE(G) WITH THE BACK RESTING ON REAR MATRIX AND AS FAR LEFT AS POSSIBLE

LOCATION POINT



**J**

PIECE (J) IS LOCATED ON TOP OF PIECE E AND USING BOTH LOCATION POINTS AND HOLES IN PIECE J TO ALIGN UP

LOCATION POINTS



**H**

PIECE (H) NOW FITS TO RIGHT AND FRONT FITS SNUGLY ON TO PIECE F WITH REAR SITTING ON REAR MATRIX AS SHOWN

FITS SNUG ON FLAT POINT HERE



**I**

PIECE (I) SITS ON TOP OF PIECE C AND IS LOCATED ON LOCATION POINT AT TOP AND HOLE IN PIECE (I) FINAL TWO SMALL PIECES SIT ON FRONT PIECE LARGE PIECE TO LEFT AS SHOW

TWO SMALL COALS LARGE ON LEFT

## JEWEL/SUPER HEATRAVE RANDOM PEBBLE AND RANDOM BLACK FUEL PIECE LAYOUT (20)



FIRST 6 RANDOM FUEL PIECES  
SIT ON TOP OF THE FRONT  
FIBRE AS SHOWN,ENSURING  
THEY DO NOT OVERHANG ON  
TO THE BURNER.  
THEY MAY HAVE TO BE  
TWISTED TO FIT CORRECTLY  
(SHOWN ON LEFT)

FIVE RANDOM FUEL PIECES  
SIT BEHIND FRONT SIX AS  
SHOWN ON RIGHT.



FOUR RANDOM FUEL PIECES  
SIT BEHIND AGAIN AS  
SHOWN ON LEFT

FINAL FIVE RANDOM FUEL  
PIECES SIT BEHIND AGAIN  
AS SHOWN ON RIGHT.

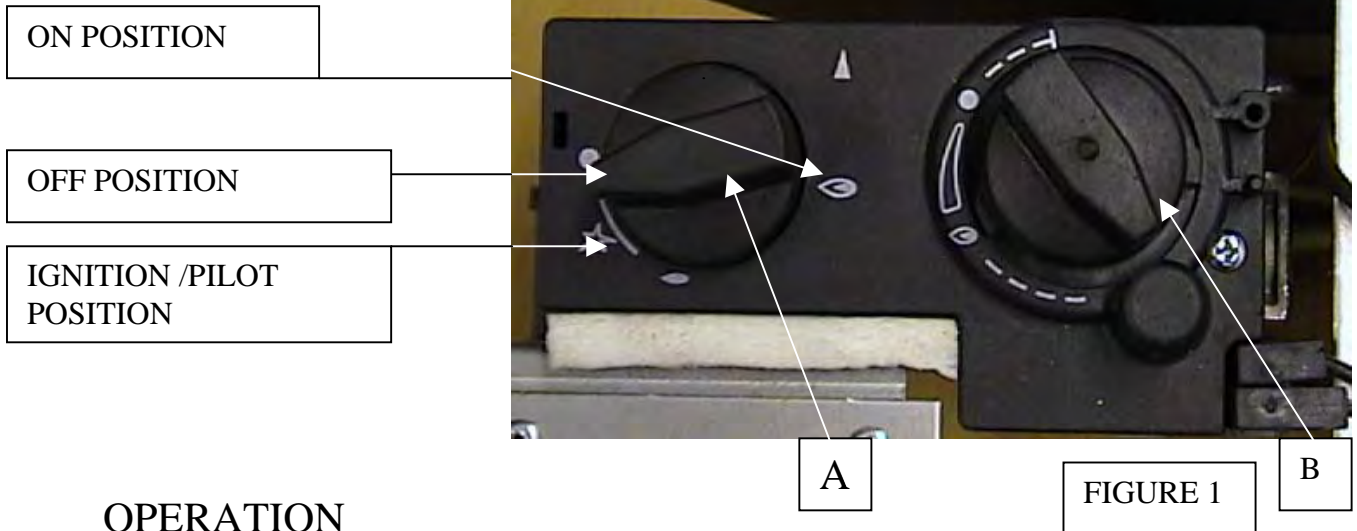




MERTIK MAXITROL REMOTE CONTROL SYSTEM

**ADDITIONAL INSTRUCTIONS**

THESE INSTRUCTIONS ARE FOR THE USE ON CRYSTAL FIRES REMOTE CONTROL RANGE OF GAS FIRES



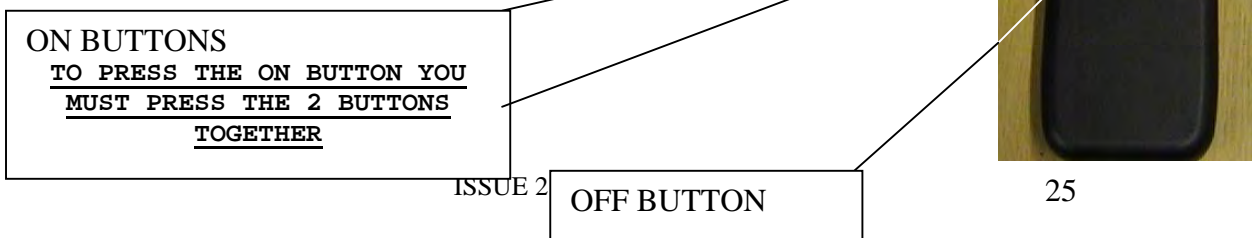
**OPERATION**

**LIGHTING PROCEDURE**

1. TURN KNOB A (FIGURE 1) SLIGHTLY LEFT TOWARDS THE IGNITION POSITION(SHOWN IN FIG 1 ABOVE) UNTIL REACHING STOP,PRESS DOWN AND HOLD FOR FIVE SECONDS (ONLY PILOT GAS FLOWS)
2. CONTINUE PRESSING DOWN KNOB A WHILE TURNING FURTHER LEFT TO ACTIVATE PIEZO,CONTINUE TO HOLD DOWN FOR 10 SECONDS AFTER PILOT HAS BEEN LIT,IF PILOT DOES NOT LIGHT,STEPS 1 AND 2 CAN BE REPEATED IMMEDIATELY.
3. UPON LIGHTING,RELEASE KNOB A AND TURN FURTHER LEFT TO ON POSITION (SHOWN IN FIGURE 1 ABOVE)PILOT GAS FLOWS AND MAIN BURNER FLOWS IN ACCORDANCE TO THE FLAME SETTING(KNOB B AS SHOWN IN FIG 1 ABOVE)

# ADJUSTING THE FLAME SETTINGS

TO TURN THE FIRE ON AND/OR TO ADJUST THE FLAME STTING, PRESS THE ON BUTTONS ON THE REMOTE HANDSET.CONTINUE PRESSING UNTIL DESIRED FLAME SETTING IS OBTAINED.PRESS AND HOLD THE OFF BUTTON TO REVERSE THE SETTING.THE RECEIVER IS EQUIPPED WITH A BUILT IN DELAY, RECOGNIZABLE BY THE FLICKERING LIGHT,TO FACILITATE FINE ADJUSTMENT OF THE FLAME THE MOTORIZED VALVE IS EQUIPPED WITH A SLIP CLUTCH ,ALLOWING MANUAL ADJUSTMENT OF MAIN GAS BY TURNING KNOB B



## **SHUT OFF PROCEDURE**

- 1.TURN KNOB A RIGHT UNTIL REACHING STOP. IN THIS POSITION ONLY PILOT GAS FLOWS
- 2.TO SHUT OFF VALVE COMPLETELY,PRESS DOWN SLIGHTLY AND CONTINUE TURNING RIGHT FROM PILOT POSITION TO THE OFF POSITION.THE SAFETY INTERLOCK PREVENTS RE-IGNITION OF THE PILOT FLAME UNTIL THERMOCOUPLE HAS COOLED DOWN SUFFICIENTLY(ELAPSED TIME WILL VARY BASED ON THERMOCOUPLE TYPE)
- 3.SWITCHING OFF THE REMOTE IS NOT NECCESARY.



THE SENSOR AND BATTERY HOLDER A INSERTED BENEATH THE RIGHT SIDE OF THE FIRE.TO REPLACE BATTERIES ALLOW FIRE TO COOL FOR AT LEAST 30 MINUTES THEN PULL OUT BATTERY HOLDER, THE COVER CAN SLIDE OFF AS ABOVE AND THE BATTERIES CAN BE REPLACED.(USE ONLY LIKE FOR LIKE ALKALINE AA BATTERIES)

### **REPLACEMENT PARTS**

BATTERY HOLDER AND SENSOR

CRYSMERTIKHOLDER

GAS VALVE

CRYSMERTIKVALVE

REMOTE HANDSET

CRYSMERTIKHANDSET

### **INSTALLATION INFORMATION**

GAS SUPPLY: THE GAS CONNECTION CAN BE FROM EITHER THE LEFT OR RIGHT HAND SIDE OF THE FIRE.ENSURE THAT THE GAS PIPE DOES NOT PREVENT THE REMOVAL OF THE BATTERY HOLDER AND SENSOR OR ACCESS TO OPERATE THE GAS CONTROL KNOBS

### **MODIFIED TECHNICAL DATA**

INJECTOR SIZES

SUPER HEATRAVE/SLIMLINE/RUBY/LAGOON CAT 82/460

SAPHIRE

CAT 82/420

JEWEL

CAT 82/500