



CF3 MONTANA

LIVE EFFECT GAS FIRE



Installation, maintenance & user instructions

HAND THESE TO THE USER

Natural gas G20 at supply pressure of 20 mbar
in
GB



This appliance is manufactured by:
Crystal fires limited aintree racecourse business park aintree L9 5AY
0151 521 3222

CONTENTS

SECTION 1	INFORMATION AND REQUIREMENTS	PAGE
1.0	APPLIANCE INFORMATION	3
1.1	CONDITIONS OF INSTALLATION	4
1.2	FLUE AND CHIMNEY SUITABILITY	4
1.3	FIREPLACE & SURROUND SUITABILITY	5
1.4	SHELF POSITION	5
1.5	CHIMNEY INSPECTION	5-6
1.6	FIREPLACE OPENING /CATCHMENT SPACE	6
1.7	FITTING TO METAL FLUE BOX	7
1.8	HEARTHES	7
1.9	SPILLAGE MONITORING SYSTEM	8
2.0	REMOVE GLASS AND FIRETRAY	8
SECTION 2	INSTALLING THE APPLIANCE	
2.1	INSTALLING THE FIREBOX	9
2.2	GAS SUPPLY	9
2.3	SECURE TO FIREPLACE	9-10
2.4	GAS TIGHTNESS & INLET PRESSURE	10
SECTION 3	FUEL SETUP AND COMMISIONING	
3.1	SETTING UP FUEL	11-13
3.2	CHECKING FOR SPILLAGE	14
SECTION 4	MAINTENANCE	
4.1	SERVICING	15
4.2	CLEANING	16
4.3	INSTALLER SPARE PARTS	16
4.4	TROUBLE SHOOTING PILOT PROBLEMS	16
SECTION 5	USERS INSTRUCTIONS BENCHMARK INFORMATION	17-20
5.1	INSTALLATION INFORMATION	21-22
5.2	MANUAL USERS	22
5.3	TESC REMOTE CONTROL	23
5.4	TESC REMOTE CONTROL	24
5.5	SETTING UP FUEL	25-26-27
5.6	CLEANING GLASS	28
5.7	TROUBLESHOOTING HELP	29

SECTION 1

1	APPLIANCE INFORMATION
MODEL	CF3 MONTANA HE
GAS TYPE	NG
INJECTOR	380 manual / 500 remote
PILOT TYPE	MANUAL SIT 9077 -REMOTE ERTA PG-82-330A14
HEAT INPUT HIGH	5.6 kW gross
HEAT INPUT LOW	3.7 kW gross
COLD PRESSURE	20 mbar +/- 1.0 mbar
GAS	G20 NATURAL GAS I _{2H}
FIREBOX DIMENSIONS	(INCLUDING TRIM)
WIDTH	494mm
HEIGHT	612mm
DEPTH	260mm
GAS CONNECTION	8mm COMPRESSION at test elbow on appliance
Effeciency	Class 1 Efficient 79%

The Benchmark Scheme

Benchmark places responsibilities on both manufacturers and installers. The purpose is to ensure that customers are provided with the correct equipment for their needs, that it is installed, commissioned and serviced in accordance with the manufacturer's instructions by competent persons and that it meets the requirements of the appropriate Building Regulations. The Benchmark Checklist can be used to demonstrate compliance with Building Regulations and should be provided to the customer for future reference. Installers are required to carry out installation, commissioning and servicing work in accordance with the Benchmark Code of Practice which is available from the Heating and Hotwater Industry Council who manage and promote the Scheme. Visit www.centralheating.co.uk for more information.

Installation requirements

1.1 conditions of installation

It is the law that all gas appliances are installed only by a competent person
le: a registered installer in accordance with the current edition of the gas safety (installation and use) regulations or the rules in force. Failure to do so could lead to prosecution
The installer must be gas safe registered .

The installation must also be in accordance with all relevant parts of the local and national building regulations where appropriate, the building regulations (Scotland consolidation) issued by the Scottish development department, and all applicable requirements of the following British standard codes of practice.

1. Bs 5871 part 2 installation of inset fuel effect fires
2. Bs 6891 installation of gas pipework
3. Bs 5440 parts 1 & 2 installation of flues and ventilation
4. Bs 1251 open fire place components
5. Bs 715 / BS EN 1856-2 metal flue pipes for gas appliances
6. Bs 8303 installation of domestic heating appliances
7. Is 813 domestic gas installation (republic of Ireland)

No purpose made additional ventilation is normally required for this appliance ,when installed in G.B.when installing in I.E.please consult document

I.s 813 domestic gas installation, which is issued by the national standards authority of Ireland. if installing in northern Ireland please consult local building regulations

In Scotland ,please consult the current edition of the building standards regulations, issued by the Scottish executive.any purpose made ventilation must be checked periodically to ensure that it is free from obstruction.

1.2 Flue & chimney suitability

This appliance is designed for use with conventional brick built or lined chimneys and and fabricated flues and metal flue boxes conforming to BS 715 /BS EN 1856-2

All flues must conform to the following minimum dimensions

Minimum dimension of circular flues 125 mm

Minimum effective height of all flue types 3 meters

This product is not suitable for pre cast flues

1.3 Fireplace / surround suitability

The fire must only be installed on a hearth it must not be installed directly on to a carpet or other combustible floor materials.

(this appliance may be installed without a hearth when fitted as a hole in the wall and is fitted so the bottom of the appliance is installed a minimum of 300mm from floor level)

This fire is suitable for fitting to a non combustible fire place surrounds and proprietary fireplace surrounds with a temperature rating of at least 150° C (class "o")

If this appliance is fitted directly against a wall without the use of a fire surround or fireplace all combustible materials must be removed from behind the trim .soft wall coverings such as blown vinyl ,wall paper etc, could be affected by the rising hot air scorching and /or discolouration may result ,due consideration should be made to this when installing or decorating.

1.4 Shelf position

The fire may be fitted below a combustible shelf providing there is a minimum distance of 200mm above the top of the fire and the shelf does not project more than 150mm.if the shelf overhangs more than 150mm the distance between the fire and the shelf must be increased by 15mm for every 25mm of additional overhang over 150mm

1.5 Flue / Chimney inspection

Before commencing installation ,a flue or chimney should be inspected to ensure that all of the following conditions are satisfied.

- 1.check that the chimney / flue only serves one fireplace and is clear of any obstruction .any dampers or register plates must be removed or securely locked in the open position
- 2.brick/stone built chimneys or any chimney or flue which has been used for an appliance burning fuel other than gas must be thoroughly swept .the base of the chimney /flue must also be cleared of debris etc
- 3.any under floor air supply to the fireplace must be completely sealed off
- 4.ensure that the inside of the chimney / flue is in good condition along its length and check that there is no leakage of smoke through the structure of the chimney / flue during and after the smoke pellet test
- 5.using a smoke pellet check there is an updraft in the chimney / flue and that the smoke can be seen coming from the terminal/ pot outside
There must be no leakage of smoke through the structure of the chimney during or after the smoke pellet test and it is important to check the inside upstairs rooms adjacent to the chimney / flue

Check the chimney pot / terminal and general condition of the brickwork and masonry.if the chimney / flue is in poor condition or if there is no up-draught do not proceed with the installation, if there is a history of down draught conditions with the chimney / flue,

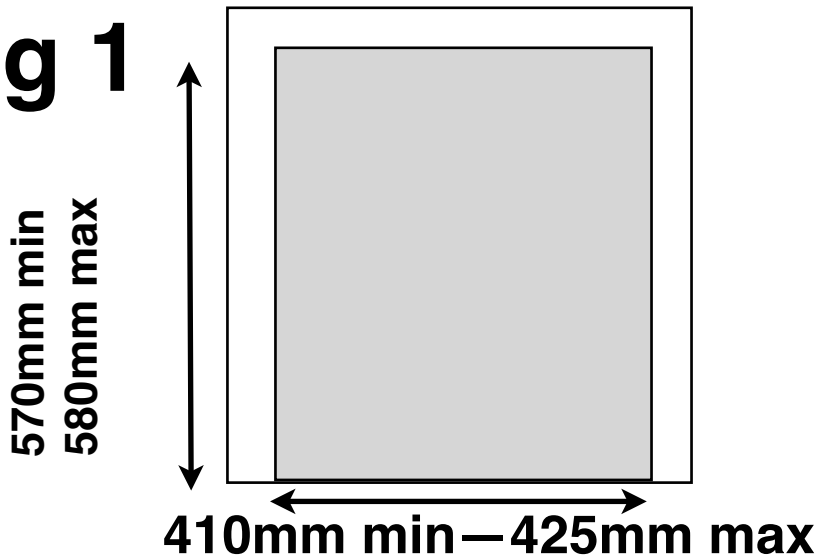
A tested and certificated flue terminal or cowl suitable for the relevant flue type should be considered

6.a spillage test must always be carried out during commissioning of this appliance

1.6 Fireplace opening and chimney catchment space

The front opening of the fireplace must be between 400mm and 425mm wide and between 560mm and 570mm high. If the opening exceeds these dimensions then a surround must be constructed from suitable non-combustible material to produce correct size opening. Any surround must be suitably sealed to the fireplace to prevent leakage. See below fig 1

Fig 1



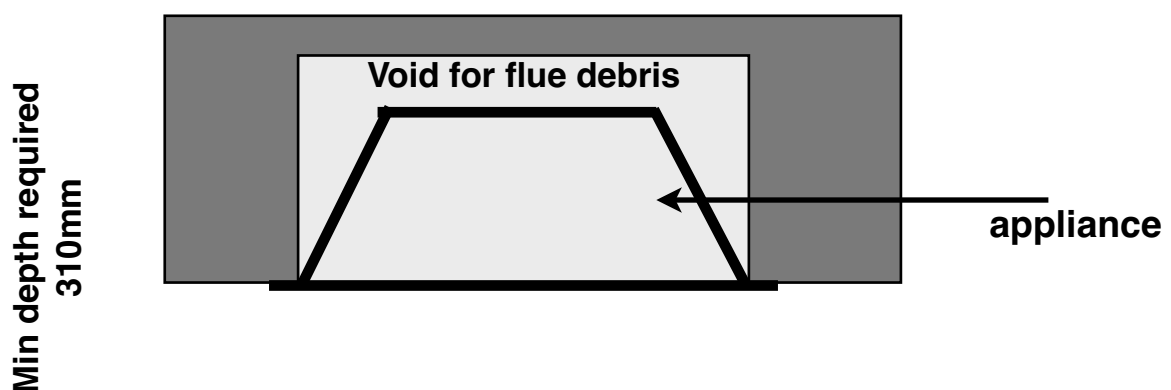
**A smooth face
around the opening
is required to get a
good seal**

When installing into a brick built chimney, you must ensure that there is sufficient depth to accommodate any debris which may fall from the chimney, this depth must be sufficient to accommodate 12 litres of volumetric space, minimum of 310mm

IMPORTANT

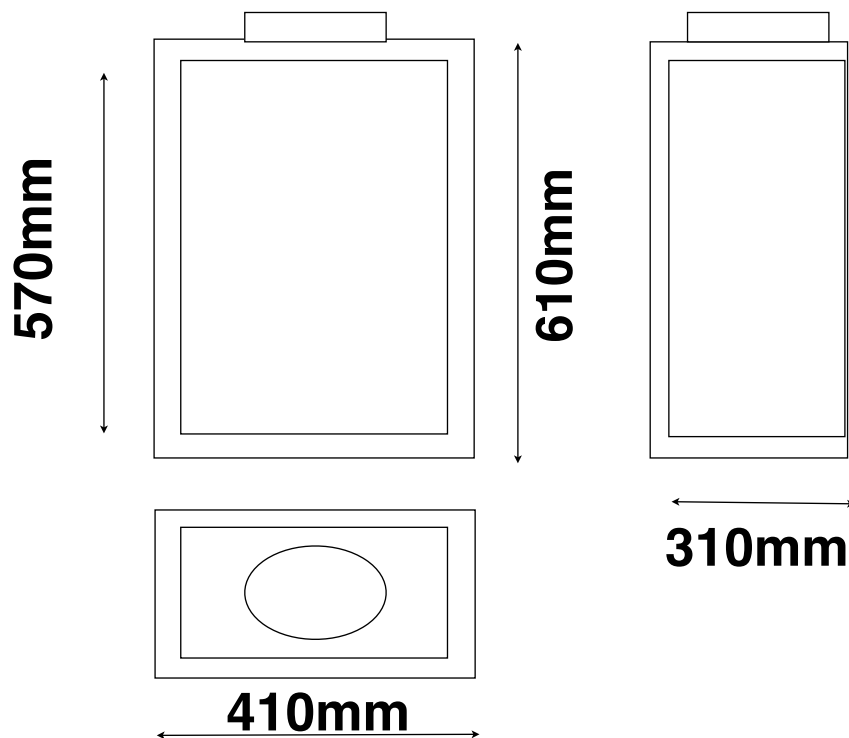
The dark shaded area must be sealed completely around the appliance any pipes also sealed, The base also sealed so the flue can only pull through the appliance diverter and nowhere else

if it can pull from anywhere else the appliance will not work safely



1.7 fitting to metal flue boxes

A DOUBLE WALLED RECESSED FLUE BOX BUILT TO THE REQUIREMENTS OF BS 715 OR BS EN 1856 WITH AN INSULATED FLUE HAVING A MINIMUM DIAMETER OF 125mm (5") AND A MINIMUM EFFECTIVE OVERALL HEIGHT OF 3 METERS (10ft)



RECESSED GAS FLUE BOX DIMENSIONS (NOT INCLUDING FIBRE GLASS INSULATION)

NOTE

THE METAL FLUE BOX MUST BE INSULATED WITH FIBRE GLASS OR EQUIVALENT TO A THICKNESS OF 50 mm.

NOTE

WHERE INSTALLATION IS FOR A METAL FLUE BOX, THE SURROUND MUST HAVE A TEMPERATURE RATING OF 150 DEGREES C .

NOTE

IF THE FLUE BOX IS TO BE USED WITH AN EXISTING BRICK OR STONE CHIMNEY A 125 mm (5") MINIMUM DIAMETER FLUE LINER CONFORMING TO BS 715 MAY BE USED.

NOTE

A BRICK CHAMBER TO THE SIZES IN FIG 2 IN AN EXISTING BRICK OR STONE CHIMNEY A 125mm MINIMUM DIAMETER FLUE LINER CONFORMING TO BS EN 1856 MAY BE USED, PROVIDING IT IS SEALED AT THE TOP AND BOTTOM OF THE EXISTING BRICK OR STONE CHIMNEY.

1.8 Hearths

This appliance must only be installed on to a non combustible hearth, the hearth material must be a minimum thickness of 12mm with the top surface at least 50mm above the floor, the hearth must be fitted symmetrically about the fire opening and have a minimum width of 760mm and a minimum projection 300mm forwards from the opening

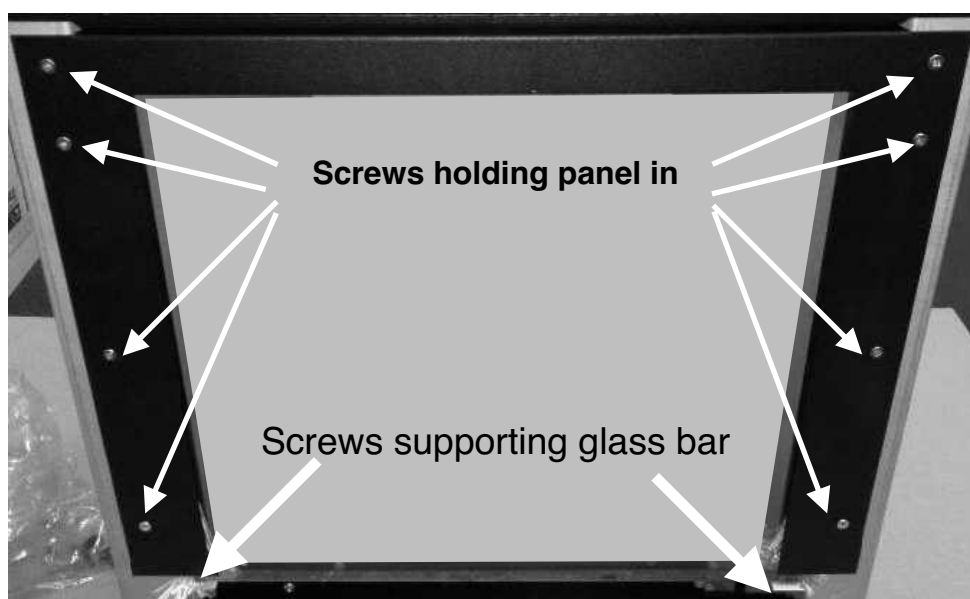
1.9 Spillage monitoring system

This appliance is fitted with an atmosphere sensing device ,this is designed to shut off the appliance in the event of partial or complete blockage of the flue causing a build up of combustion products in the room in which the fire is operated

The following are important warnings related to this spillage monitoring system

- 1.the spillage device must not be adjusted by the installer
- 2.the spillage device must not be put out of operation
- 3.when this device is changed (recommended yearly at service)only a complete original manufacturers part may be used ,it is not possible to replace individual parts on this device only a complete assembly can be used

2.0 remove glass and fire tray



Remove 4 screws on each side supporting the frame the glass panel will then be able to be removed (once screws undone support the glass when removing)
once the glass panel and frame has been removed the Bar supporting the glass panel can be removed by removing 2 screws

The Fire-tray can now be removed by removing 2 screws holding it in place at the bottom

Section 2 installing the appliance

2.1 Installing the firebox

Check that the chimney / flue conforms to the required specifications as previously stated.
If this is so continue with the installation

2.2 Gas supply

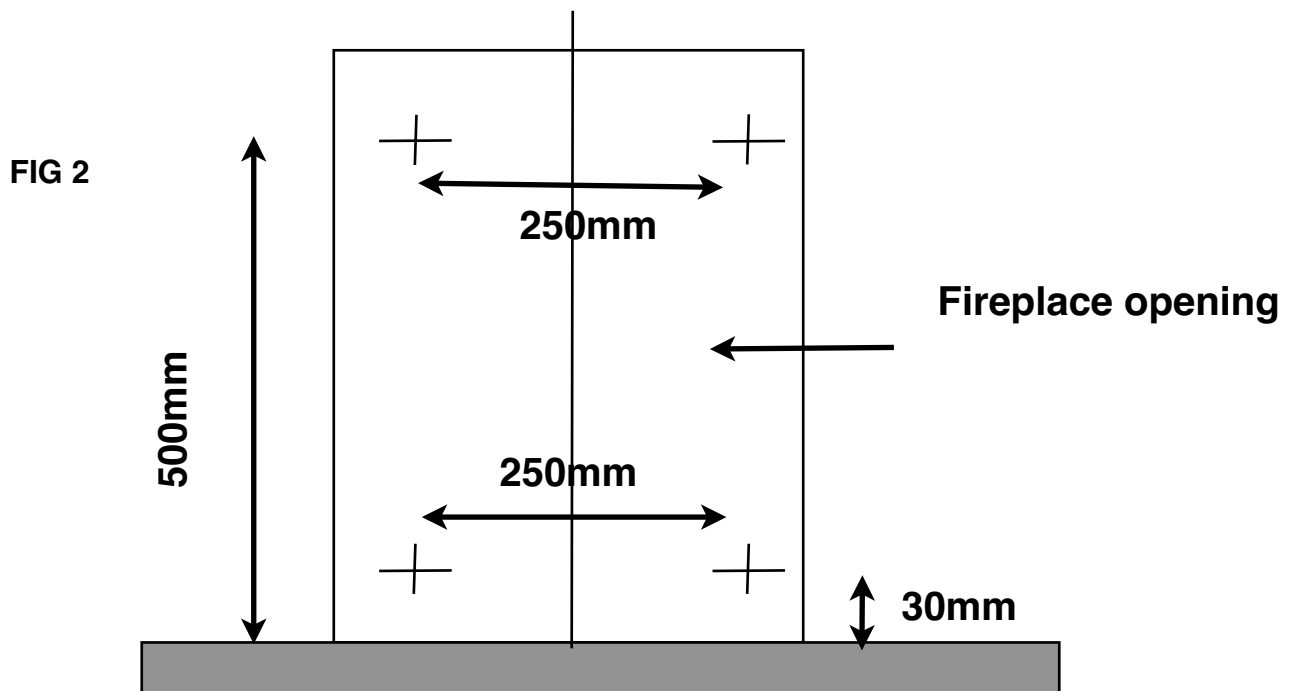
It is recommended a concealed connection is made using semi rigid tubing on the rear left side of the appliance taking into account the requirements of B.S 6891 1988 dealing with enclosed pipes
An isolating valve is built in to the appliance as part of the pressure test point elbow
Use 8 mm copper pipe

2.3 secure to fireplace

The preferred method of fixing is cable fixing which is described in the following section

Proceed as follows :

Mark out and drill 4 off holes in the back face of the fire opening in the positions shown below fig 2



Fit the wall plugs provided and screw the fixing eyes securely into the rear of the fire opening
Uncoil the two fire fixing cables and thread one of each of the cables through the small holes either side of the top of the fire
Position the fire carefully on the hearth ensuring the hearth is protected not to scratch any decorative surfaces ,thread each of the cables vertically downwards through the pair of fixing eyes on the same side of the fire ,then thread the free end of the cable through the hole at the bottom rear of the appliance (the fire tray will have to be removed to do this if not already) then carefully slide the fire into the fire opening and pull the cables tight
Thread a tensioning screw over each of the cables and ensure that the tensioning nut is screwed fully up against the hexagon shoulder of the tensioning screw
(this allows for maximum adjustment)

Fit a screwed nipple on to each of the cables and pull hand tight up against the tensioning screw then secure each nipple with a screwdriver

Evenly tighten the tensioning nuts to tension both cables and pull the fire snugly to the wall
Do not over tighten ,it is only necessary to pull the seal against the wall and make an air tight seal ,check there are no gaps behind the seal

With the fire securely in place the gas pipe can now be purged ensuring no debris are in the pipework, otherwise serious damage can be done to the gas control valve on the fire.

2.4 gas tightness and inlet pressure

Refit gas fire tray into fire box and screw it secure using two screws at bottom .

Connect the gas supply to the inlet elbow and carry out a gas soundness test

After ensuring gas soundness test remove the pressure test point from the inlet elbow and connect a manometer

Turn on the appliance and turn to the full position

Check that the gas pressure is 20.0 mbar +/- 1 mbar (8" water gauge +/- 0.4 in w.g.)

Turn off the appliance remove the manometer and refit the pressure test point screw.

Check the test point screw for gas tightness using a suitable leak detection fluid .

‘At the time of commissioning, complete all relevant sections of the Benchmark Checklist located on the inside back pages of this document.’

Section 3

Fitting fuel bed and commissioning

3.1 assembling the fuel bed

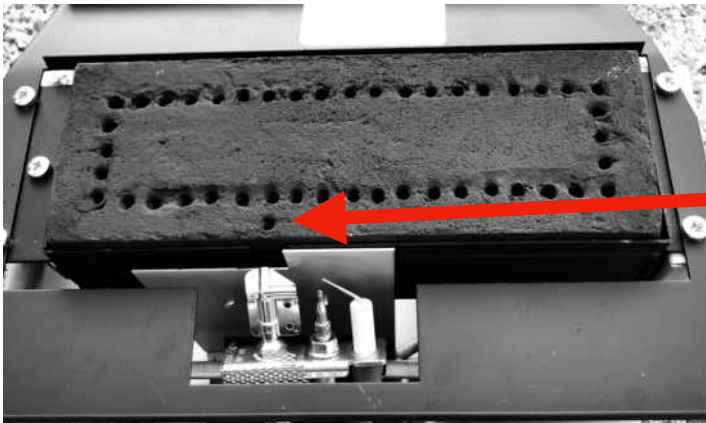
PERIODICALLY SMALL DEPOSITS OF SOOT MAY GATHER ON THE FUEL BED AND BURNER, THIS MUST BE REMOVED BY REMOVING FUEL AND BRUSHING ANY DEPOSITS WITH A SOFT BRUSH AND VACUUMING THE BURNER, THEN REPLACE FUEL USING THE FOLLOWING PROCEDURE.

FUEL SET UP

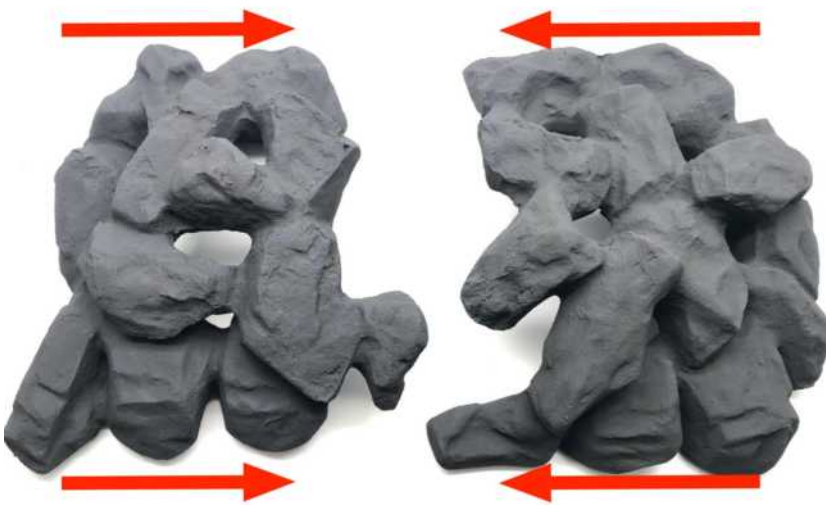
AERATION SLOTS AROUND BURNER MUST NOT BE BLOCKED

**THE FUEL LAYOUT
SHOWN ON NEXT PAGE
IS COALS
THE LOGS VERSION
AND PEBBLES VERSION
ARE EXACTLY THE SAME
BUT WITH A DIFFERENT
DESIGN ON THE TOP TO
SUIT VERSION
IE: LOGS OR PEBBLES**

CF3 MONTANA FIXED COAL INSTRUCTIONS



THE BURNER PAD SITS INTO THE BURNER AS SHOWN TO THE LEFT
ENSURE THE SMALL CROSS LIGHTING HOLE SITS ABOVE THE PILOT LIGHT IN THIS POSITION



PLACE BOTH SIDES ON A FLAT BASE OUTSIDE THE FIRE AND PULL TOGETHER
LEFT SIDE INWARDS TO RIGHT AND RIGHT SIDE INWARDS TO LEFT

IT WILL INTERLOCK AS SHOWN BELOW



INTERLOCKED AS SHOWN
LEFT

THIS CAN NOW BE PLACED INTO THE FIRE CENTRALLY ABOVE THE BURNER ,
IT WILL BE A TIGHT FIT BUT WILL SIT ONLY ONE WAY

THE FLAMES WILL BURN THROUGH THE HOLES IN THE COALS , THEY MAY NOT BE EVEN BUT THIS IS NORMAL

The Log or pebble version is exactly the same but different finish to the top

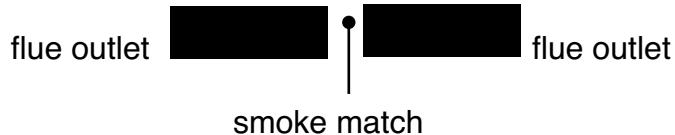
3.2 Checking for spillage

Checking for the clearance of combustion products

Close all doors and windows in room

Light the fire and allow to run for 5 minutes on high position

After 5 minutes hold a smoke match inside the diverter between the 2 flue outlets ,level with the flue outlets on top of the appliance not inside the flue diverter .as shown below



The smoke must be drawn into the flue , if in doubt repeat the test after the fire has been burning for 10 minutes

if spillage persists, the flue is not functioning correctly and a fault exists ,if after investigation the fault cannot be traced and rectified , the fire must be disconnected from the gas supply and expert advice obtained .

always ensure flue /chimney is completely sealed including the base and any pipes no longer used or cavity may need pointing if this is not sealed the flue will not pull through the gas fire and not function correctly



If there is an extractor fan fitted anywhere in the vicinity of the appliance, the spillage test should be repeated with the fan running on maximum and all inter connecting doors open

After ensuring the fire is safe to use it should be left on high position to fully warm up during this time a slight odor may be noticed this is due to the newness of the fire and will soon disappear

Fit fire trim using magnets on flanges of fire and fit fret centrally in front of fire

finally hand these instructions to the user and explain the operation of the fire in detail

Section 4

Maintenance

4.1 servicing

Servicing should be carried out annually by a gas safe registered engineer ,the service should include changing the ODS pilot if warranty is to be extended if not thoroughly clean , also the chimney /flue should be checked and the appliance removed to check for debris in the fireplace opening ,a smoke test must be carried out to check for up draught and no leakage in the flue check the condition of the fuel pieces and if necessary replace with Genuine replacements from crystal fires

after servicing a soundness test and working pressure should be tested and a spillage test

1. Removal of fuel pieces

remove trims and fire front and remove screws holding glass in place ,remove the glass the fuel pieces can then be removed and placed carefully so not to get damaged

Replace as per instructions

replace glass by inserting glass into bar at bottom and push into place whilst holding glass place the outer frame into place and put 8 screws in , only tighten when glass is safe all screws in by hand

2. replacement of gas control and pilot (Manual and remote)

Remove glass & fuel set as above

isolate appliance from gas supply and disconnect from inlet elbow

remove securing screws holding fire tray in place , the fire tray can now be removed

remove control knob (manual) and disconnect gas connections to gas valve including the pilot connection also disconnect the thermo couple nut by unscrewing or remote pull off the leads making a note of position ,

remove screws on remote and locknut on manual the valve is then free

to remove pilot remove screws holding it in place

Re assemble in reverse order

3.replacement of injector

remove fuel and glass as per 1.

repeat 2. to remove gas control

the injector can now be removed by unscrewing locknut holding it in place and it can be removed and cleaned or replaced (only replace with exactly the same)

RE assemble in reverse order ensuring all nuts fully tight and remote control connections secure

Turn on gas supply, check for soundness and re-commission the fire

perform spillage test & check all joints are sound

4.2 cleaning

Before cleaning ensure the fire is not hot and appliance turned to off position

Remove trims from fire before cleaning ,pull off from magnets

Brass/chrome trims can be cleaned using suitable metal polish

coloured finishes can be cleaned using a damp cloth

Coals and ceramics will discolour with use

if it is necessary to remove fuel pieces before replacing them ensure no particles have fallen on the burner and if this is the case remove before replacing the fuel pieces as per the instructions

Ceramics should be cleaned by shaking any debris from them ,under no circumstances brush them or vacuum as this can damage them

'After servicing, complete the relevant Service Interval Record section of the Benchmark Checklist located on the inside back pages of this document.'

4.3 installer spare parts

Part	code	Part	code
FUEL PIECES LOGS	CF3 logs	ODS manual	CF3 9077
FUEL PIECES COALS	CF3 coals	ODS remote	CF3 ERTA TESC
TRIM	CF3trim (colour)	INJECTOR manual	CF3 380
GAS VALVE MANUAL	CF3 gas tap	INJECTOR remote	CF3 500
GAS VALVE REMOTE	CF3 TESC		

OTHER PARTS AVAILABLE ON REQUEST

4.4 Trouble shooting pilot problems



Left

strong blue pilot this is correct & safe



Right

yellow flame incorrect aeration hole needs cleaning

It is important the pilot flame stays strong and blue as on left as it creates good cross lighting and no build up of gas of which can be dangerous if fire goes out on its own check pilot

Benchmark Commissioning and Servicing Section

It is a requirement that the gas fire is installed and commissioned to the manufacturers instructions and the data fields on the commissioning checklist completed in full.

To instigate the guarantee the gas fire needs to be registered with the manufacturer within one month of the installation.

To maintain the guarantee it is essential that the gas fire is serviced annually by a Gas Safe registered engineer. The service details should be recorded on the Benchmark Service Interval Record and left with the householder



www.centralheating.co.uk

GAS FIRE COMMISSIONING CHECKLIST

This Commissioning Checklist is to be completed in full by the competent person who commissioned the gas fire as a means of demonstrating compliance with the appropriate Building Regulations and then handed to the customer to keep for future reference.

Failure to install and commission according to the manufacturer's instructions and complete this Benchmark Commissioning Checklist will invalidate the warranty. This does not affect the customer's statutory rights.

Customer name:	Telephone number:	
Address:		
Gas Fire make and model:		
Gas Fire serial number:		
Commissioned by (PRINT NAME):	Gas Safe register number:	
Company name:	Telephone number:	
Company address:		
Commissioning date:		
To be completed by the customer on receipt of a Building Regulations Compliance Certificate*		
Building Regulations Notification Number (if applicable):		
Site Requirements	Yes	N/A
Was the chimney checked to ensure it only serves one flue/fire?		
Has the chimney been checked for obstructions?		
Has any debris at the base of the chimney been removed?		
For brick chimney installations is there enough depth for 12 litres of debris?		
Have damper and register plates been removed or locked in the open position?		
If previously used for solid fuel has the chimney been thoroughly swept?		
If the chimney is pre-cast has the inside of the flue been checked for extruded cement / sealant which must be removed?		
Has the fire place been checked for under-floor air supply which must be sealed off?		
Has the chimney been inspected prior to fitting the gas fire to ensure that it is in good condition?		
Has the structure of the chimney been checked for leakage using a smoke pellet test? (See BS5440-1 for details).		
Ventilation		
Does the installation require any additional ventilation requirements as detailed in the manufacturer's instructions?		
Hearth Requirements		
Is the hearth constructed from non-combustible material?		
Is the hearth a minimum of 13mm thick and the top surface at least 50mm above the floor?		
The hearth is a minimum of 760mm wide and has 300mm projecting from the fire opening?		
Firebox		
Have all non-used gas supply apertures been sealed (IMPORTANT OPERATION)?		
Has the fuel bed, coals, pebbles etc. been fitted to manufacturer's instructions?		
Gas Supply		
Has a pressure drop test been completed prior to breaking into the gas supply?		
Has an isolation tap/restrictor inlet elbow been fitted prior to servicing?		
Has the gas supply been thoroughly purged prior to connection to remove any debris?		
Gas tightness test completed and passed?		
Record burner gas pressure reading – if only the supply pressure is available a gas rate must be undertaken.		
Clearance Of Combustion Product		
Installation passes smoke match test?		
Installation		
Has the gas fire been installed and commissioned in accordance with manufacturer's instructions?		
The operation of the fire and controls have been demonstrated and understood by the customer?		
The manufacturer's literature, including Benchmark Checklist and Service record has been explained and left with the customer?		
Commissioning Engineer's Signature		
Customer's Signature (To confirm satisfactory demonstration and receipt of manufacturer's literature)		

*All installations in England and Wales must be notified to be Local Authority Building Control (LABC) either directly or through a Competent Persons Scheme. A Building Regulations Compliance Certificate will then be issued to the customer.



SERVICE RECORD

It is recommended that your heating system is serviced regularly and that the appropriate Service Interval Record is completed.

Service Provider

Before completing the appropriate Service Record below, please ensure you have carried out the service as described in the manufacturer's instructions. Always use the manufacturer's specified spare part when replacing controls.

SERVICE 01	Date:
Engineer name:	
Company name:	
Telephone No:	
Gas safe register No:	
Comments:	
Signature	

SERVICE 02	Date:
Engineer name:	
Company name:	
Telephone No:	
Gas safe register No:	
Comments:	
Signature	

SERVICE 03	Date:
Engineer name:	
Company name:	
Telephone No:	
Gas safe register No:	
Comments:	
Signature	

SERVICE 04	Date:
Engineer name:	
Company name:	
Telephone No:	
Gas safe register No:	
Comments:	
Signature	

SERVICE 05	Date:
Engineer name:	
Company name:	
Telephone No:	
Gas safe register No:	
Comments:	
Signature	

SERVICE 06	Date:
Engineer name:	
Company name:	
Telephone No:	
Gas safe register No:	
Comments:	
Signature	

SERVICE 07	Date:
Engineer name:	
Company name:	
Telephone No:	
Gas safe register No:	
Comments:	
Signature	

SERVICE 08	Date:
Engineer name:	
Company name:	
Telephone No:	
Gas safe register No:	
Comments:	
Signature	

*All installations in England and Wales must be notified to be Local Authority Building Control (LABC) either directly or through a Competent Persons Scheme. A Building Regulations Compliance Certificate will then be issued to the customer.



Section 5

Users instructions

5.1 installation information

1.1 conditions of installation

It is the law that all gas appliances are installed only by a competent person
ie: a registered installer in accordance with the current edition of the gas safety (installation and use) regulations or the rules in force. Failure to do so could lead to prosecution
The installer must be gas safe registered .

The fire may be fitted below a combustible shelf provided that the shelf is at least 200mm above the top of the appliance and the depth of the shelf does not exceed 150mm
The fire may be installed below combustible shelves which exceed 150mm deep providing that the clearance above the fire is increased by 15mm for each 25mm of additional overhang in excess of 150mm

No purpose made additional ventilation is normally required for this appliance ,when installed in G.B.
when installing in I.E. please consult document I.s 813 domestic gas installation, which is issued by the national standards authority of Ireland.

If installing in northern Ireland please consult local building regulations

In Scotland ,please consult the current edition of the building standards regulations, issued by the Scottish executive. any purpose made ventilation must be checked periodically to ensure that it is free from obstruction.

If this appliance is fitted directly against a wall without the use of a fire surround or fireplace all combustible materials must be removed from behind the trim .soft wall coverings such as blown vinyl ,wall paper etc, could be affected by the rising hot air scorching and /or discolouration may result ,due consideration should be made to this when installing or decorating.

If the chimney or flue has been used previously by appliances burning fuels other than gas they must be thoroughly swept prior to installation of this fire

The fire must be registered by your installer to gas safe

Please take time to read these instructions as you will be able to obtain the most effective and safe operation of this appliance

***Crystal fires ltd is a licensed member of the Benchmark Scheme which aims to improve the standards of installation and commissioning of domestic heating and hot water systems in the UK and to encourage regular servicing to optimise safety, efficiency and performance.
Benchmark is managed and promoted by the Heating and Hot water Industry Council. For more information visit www.centralheating.co.uk***



Important safety information

Warning

This appliance has a naked flame and as with all heating appliances a fireguard should be used for the protection of children, the elderly and infirm. fireguards should conform to B.S. 8423 :2002 (fireguards for use with gas heating appliances)

It is important that this appliance is serviced at least once a year by a gas safe registered installer and that during the service the fire is removed from the fire opening and visually checked for debris or blockages, the chimney should be checked for the clearance of flue products and the oxy pilot replaced

After installation or during a service a spillage test must always be carried out

Rubbish of any type must never be thrown on to the fuel bed ,this could affect safe operation and damage the fire

Any deposits and debris should be removed from the fuel bed periodically this may be carried out by referring to section 4.2 cleaning.

Only the correct number of Fuel pieces may be used and genuine replacement parts used

Always keep furniture and combustible materials well clear of the fire and never dry clothing or items either on or near to the fire, never use aerosols or flammable cleaning products near to the fire when it is in use

The ceramics and coals and glass remains hot for a considerable time after the appliance has been switched off so sufficient time should always be allowed for the fire to cool before cleaning etc

Warning if the fire goes out or is turned off and it is necessary to relight the fire it is important to allow 3 minutes before attempting to relight it

5.2 Manual user instructions

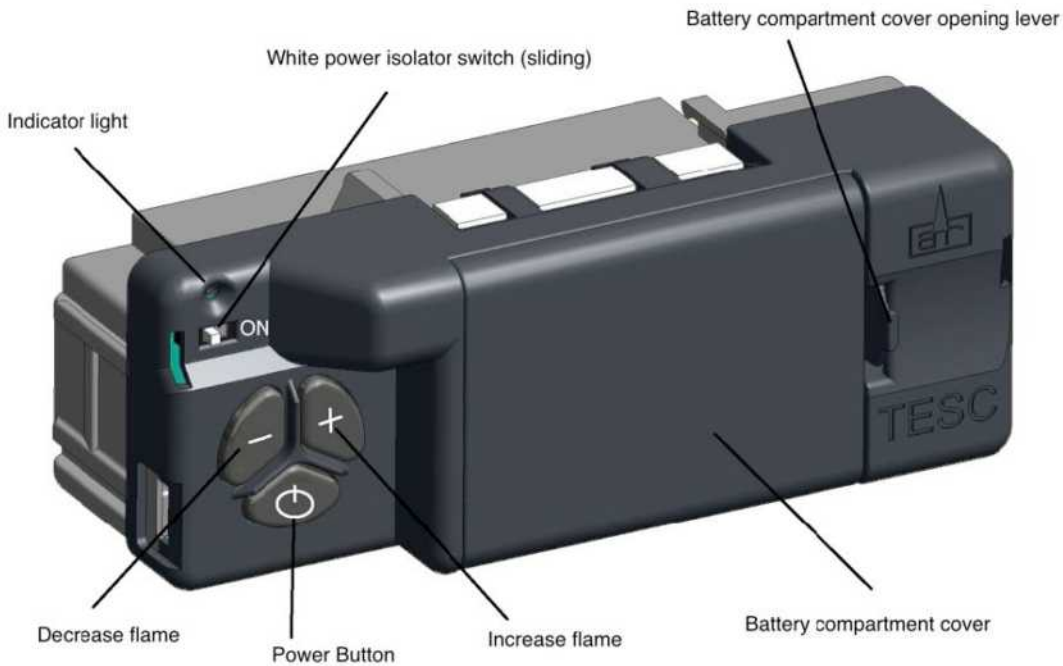
The appliance data badge is positioned on the front bottom section the appliance and carries the control knob positions,

The full lighting procedure is as follows

1. Push control knob in as far as possible on gas control
2. Turn knob anti clockwise to position once it clicks keep it pressed in
3. The ignition should have lit the pilot keep knob pressed in for 15 seconds ,if the pilot fails to light turn the knob clockwise to the off position , wait 3 minutes and repeat the procedure
4. When the pilot flame is a light the control knob should be allowed to spring out slightly , turn the knob fully anti clockwise to the high position , the pilot flame will then ignite the main burner ,the pilot flame can be viewed at the top centre of the gas burner
5. The appliance can be adjusted between high and low by moving the control knob to suit ,the knob will need to be depressed slightly to move from low—high—ignition
6. To turn the fire off, depress the knob slightly and turn it to pilot position
7. To completely extinguish the fire depress the knob slightly and turn to off position (do not attempt to relight for 3 minutes)
8. Should the spark ignition fail to operate, turn the control knob to the off position and wait 3 minutes , turn the knob to the ignition position and light the pilot with a taper, “lighting the pilot with a taper is an emergency measure only and the appliance should be serviced as soon as possible “ and then proceed as stated previous

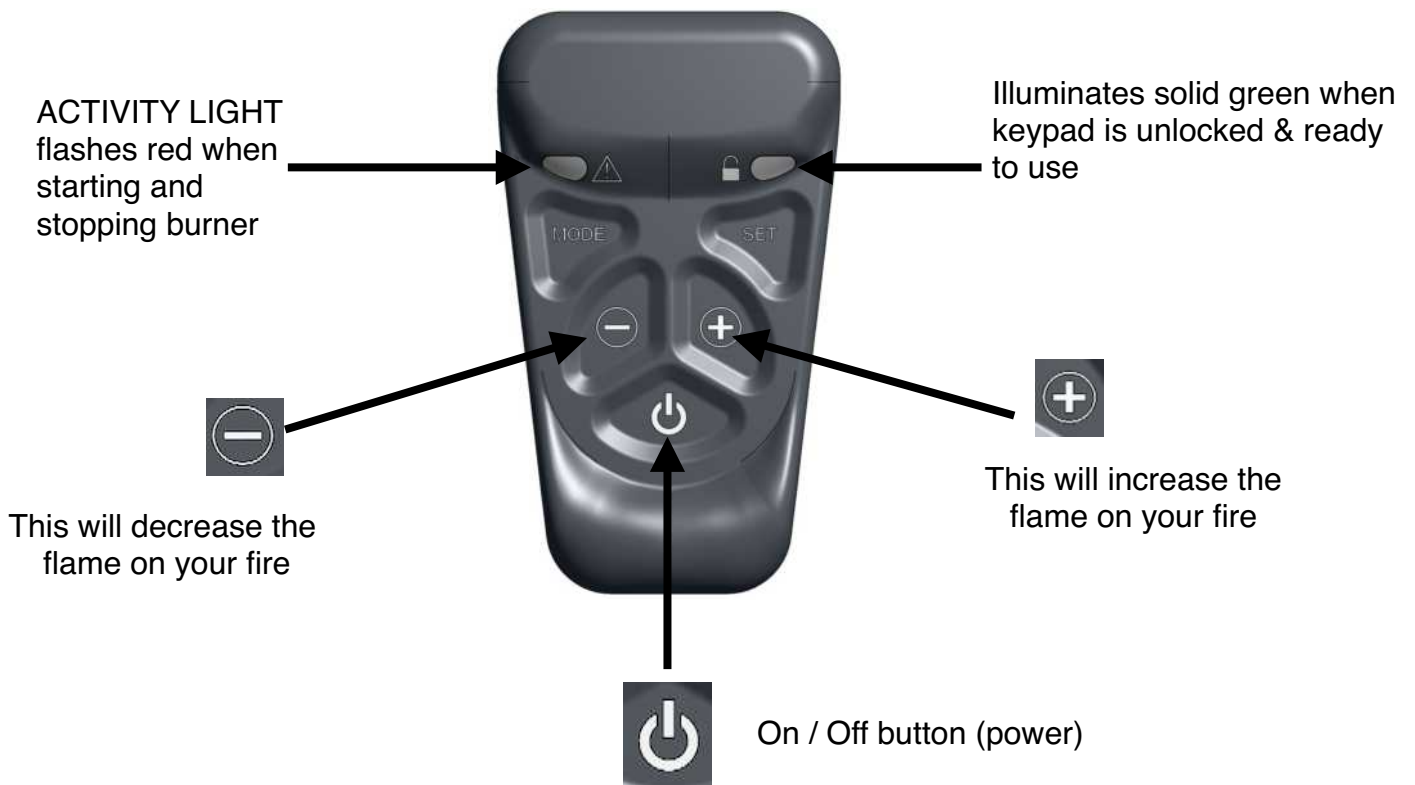
Important : This appliance is fitted with an oxygen depletion sensor incorporated into its pilot light . should the fire repeatedly extinguish itself then specialist advise should be sought ,as this may indicate spillage into the room of combustion products

5.3 Tesc remote control



YOUR REMOTE CONTROL WILL COME ALREADY PAIRED WITH YOUR FIRE

Above is your remote control gas valve which will be fitted at the base of your CF3 gas fire ,it is supplied with batteries of which will require changing at least annually at the time of service or more often depending on use and quality of batteries we recommend using Energiser batteries as they do not leak



The switch on the top left of the tesc valve must be pushed right to the on position with the batteries installed in the valve

5.4 Tesc remote control

STARTING THE FIRE

First thing to start the fire is to unlock the handset by wrapping your hand around it and having your fingers on one side and the palm of your hand on the other

when you do this the handset will unlock and the green light will stay solid



on / off

With the green light solid put your finger on the on/off button and hold it there for approximately 3 seconds , **(and then remove finger from the on/off button)** at this time the red ACTIVITY light will come on and flash ,the appliance will spark and then come on to main burner and which point the red light will stop flashing

Warning : the above procedure is a safety issue so must be followed correctly or your appliance will not come on (it may take a couple of goes to master but it is easily learnt)

When the burner is lit the appliance can be adjusted from high to low and vice versa , to do this the handset must be held by wrapping hand around to unlock and with the green light solid touch the



or



to alter the burner to high or low

To turn the fire off simply press the ON / OFF Button whilst hand wrapped around handset and green light solid , the appliance will turn off very easily as this is not a safety issue .

Whenever you operate the appliance with the handset the red light will flash to indicate the appliance and handset are communicating with each other

If you misplace the handset you can page it by pressing the + button on the appliance for approx 5 seconds . the handset will flash make a noise to help you locate it , by picking up the handset the paging will stop .

Always make sure you put decent quality batteries in handset and the gas valve for best use

Any problems with the appliance always check batteries in the fire and remote control and if necessary replace

To un pair handset hold the set button continuously until green & red lights are flashing then immediately remove the batteries for 3 minutes

With the handset within 1 metre of gas valve

To re-pair the handset press the + and - on the appliance simultaneously until red indicator light comes on approx 10 seconds (indicator light located on control above buttons)

immediately within 1 second remove fingers from + and - and press the on / off button on the gas valve , the handset will beep and then immediately pick up handset hold in hand and press **SET** for 3 seconds , the handset will be paired

5.5 setting up fuel

assembling the fuel bed

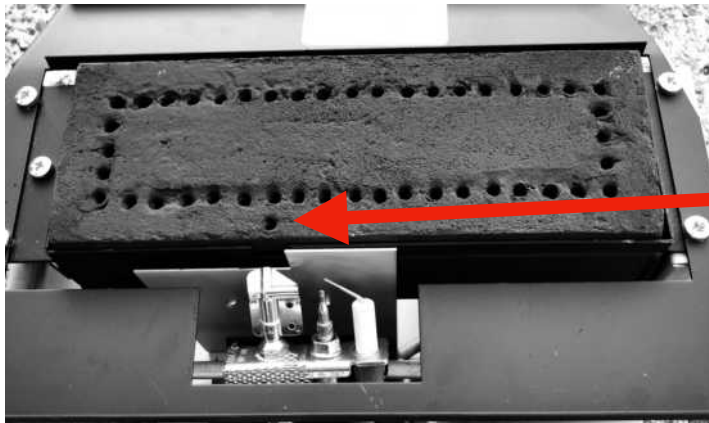
PERIODICALLY SMALL DEPOSITS OF SOOT MAY GATHER ON THE FUEL BED AND BURNER, THIS MUST BE REMOVED BY REMOVING FUEL AND BRUSHING ANY DEPOSITS WITH A SOFT BRUSH AND VACUUMING THE BURNER, THEN REPLACE FUEL USING THE FOLLOWING PROCEDURE.

LOG SET UP

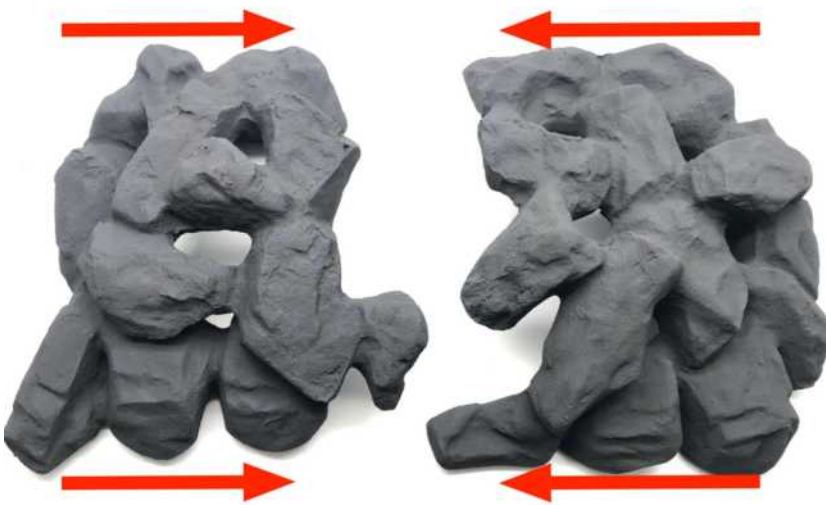
AERATION SLOTS AROUND BURNER MUST NOT BE BLOCKED

**THE FUEL LAYOUT
SHOWN ON NEXT PAGE
IS COALS
THE LOGS VERSION
AND PEBBLES VERSION
ARE EXACTLY THE SAME
BUT WITH A DIFFERENT
DESIGN ON THE TOP TO
SUIT VERSION
IE: LOGS OR PEBBLES**

CF3 MONTANA FIXED COAL INSTRUCTIONS



THE BURNER PAD SITS INTO THE BURNER AS SHOWN TO THE LEFT
ENSURE THE SMALL CROSS LIGHTING HOLE SITS ABOVE THE PILOT LIGHT IN THIS POSITION



PLACE BOTH SIDES ON A FLAT BASE OUTSIDE THE FIRE AND PULL TOGETHER
LEFT SIDE INWARDS TO RIGHT AND RIGHT SIDE INWARDS TO LEFT

IT WILL INTERLOCK AS SHOWN BELOW



INTERLOCKED AS SHOWN
LEFT

THIS CAN NOW BE PLACED INTO THE FIRE CENTRALLY ABOVE THE BURNER ,
IT WILL BE A TIGHT FIT BUT WILL SIT ONLY ONE WAY

THE FLAMES WILL BURN THROUGH THE HOLES IN THE COALS , THEY MAY NOT BE EVEN BUT THIS IS NORMAL

The Log or pebble version is exactly the same but different finish to the top

5.6 cleaning the glass

WARNING

NEVER USE THE APPLIANCE WITHOUT THE GLASS OR IF BROKEN OR CRACKED

To clean the glass panel remove it from the appliance by removing the 8 screws holding the frame remember to support glass and remove carefully

Clean the glass using a damp cloth or ceramic glass cleaner do not use any abrasive cloth

if the glass has soot on it check the fuel layout and more important the aeration slots in the appliance are not covered by the fuel

PLEASE NOTE : the glass will need cleaning periodically , each time the appliance is used the condensation produced will create marks on the inside glass panel and any impurities in the gas can embed into the glass ,

only replace the glass if it is in good condition and free from cracks

to replace drop the base of the glass into the bottom bracket on the appliance and push the glass with the thicker side of the seal towards the appliance and the whilst supporting the glass replace the glass frame ensuring all 8 screws are screwed firmly in ,do not use a screw gun or you may damage the threads it is best to start each one by hand if possible .

Spare parts

LOGS	CF3LOGSET
COALS	CF3COALSET
HANDSET	TESC HANDSET
TRIMS	CF3 TRIM (COLOUR)

ALL CRYSTAL FIRES PARTS ARE AVAILABLE FROM

www.crystalfires.co.uk

Please ensure that the installer has fully completed the Benchmark Checklist on the inside back pages of the installation instructions supplied with the product and that you have signed it to say that you have received a full and clear explanation of its operation. The installer is legally required to complete a commissioning checklist as a means of complying with the appropriate Building Regulations (England and Wales).

All installations must be notified to Local Area Building Control either directly or through a Competent Persons Scheme. A Building Regulations Compliance Certificate will then be issued to the customer who should, on receipt, write the Notification Number on the Benchmark Checklist. This product should be serviced regularly to optimise its safety, efficiency and performance. The service engineer should complete the relevant Service Record on the Benchmark Checklist after each service.

The Benchmark Checklist will be required in the event of any warranty. “

5.7 Troubleshooting

With today's homes having wooden floors dust can cause problems with gas fires, we recommend regular cleaning around the appliance and especially watch the gauze filter for linting if necessary vacuum the filter when possible it will help assist a long life of trouble free use of the appliance



Left
strong blue pilot this is
correct & safe



Right
yellow flame incorrect
aeration hole needs
cleaning

It is important the pilot flame stays strong and blue as on left as it creates good cross lighting and no build up of gas of which can be dangerous if fire goes out on its own check pilot

Remote control problems always change the batteries just in case it only takes 1 faulty battery to cause problems so best to check first and only use top quality alkaline batteries, crystal fires recommend Energiser as they do not leak.

Remote control always ensure you follow the instructions to light the appliance remember it is a safety procedure to light the appliance
Remove finger off handset when red light comes on or it will not work and do not remove finger too early

TERMS & CONDITIONS
THE APPLIANCE MUST HAVE A GAS NOTIFICATION

AS OF 01/03/2016 BENCHMARK FORM MUST BE FILLED IN COMPLETELY AT TIME OF INSTALLATION
Two Year Parts & Labour Guarantee.

Crystal Fires Ltd guarantees your fire for two years against defective manufacturing and material, including parts and labour, subject to the following terms and conditions.

Further Three Year Parts Only Guarantee.

Your Crystal Fire is covered for a further three years for parts only against defective manufacturing and materials, subject to the following terms and conditions.

1. This guarantee applies to gas fires only. Electrical appliances are not included.
2. Installation must be carried out by a qualified Gas Safe Registered engineer, in accordance with the supplied instructions and a gas safety certificate must be issued by the installer. The product must be operated in accordance with the supplied instructions.
3. The enclosed guarantee registration form must be fully and correctly completed and returned to Crystal Fires within 14 days of the installation.
4. The fire must be serviced annually by a Gas Safe Registered engineer and a gas safety certificate must be issued by the engineer, irrespective of the amount of use of the appliance. The service must include replacement of the oxypilot assembly.
5. The appliance must be kept free from dust, dirt and debris by the user, in accordance with the cleaning instructions.
6. This guarantee is non-transferable and is made to the original owner provided that the purchase was made through an approved Crystal Fires stockist.
7. This guarantee is limited to the repair or replacement of parts found to be defective in material or workmanship after confirmation of the defect by a Crystal Fires engineer, provided that such parts have been subjected to normal conditions of use.
8. Any installation, labour, transportation or any other related costs or expenses arising from defective parts, repair or otherwise of same, are not covered by the guarantee, nor shall Crystal Fires assume responsibility for them. Furthermore, Crystal Fires will not be responsible for any incidental, indirect or consequential damages, except as provided by law.
9. All other guarantees – expressed or implied – with respect to the product, its components and accessories or any obligations or liabilities on the part of Crystal Fires are hereby expressly excluded.
10. Crystal Fires neither assumes nor authorises any third party to assume on its behalf, any other liabilities with respect to the sale of this Crystal Fire appliance.
11. This guarantee does not apply to any other product not manufactured by Crystal Fires, such as prefabricated flue boxes and flues.
12. Crystal Fires will not be responsible for:-
 1. Down drafts or spillage caused by environmental conditions such as nearby trees, buildings, rooftops, hills or mountains.
 2. Inadequate ventilation or negative air pressure caused by mechanical systems such as extraction fans, cooker extraction hoods, clothes dryers etc.
13. This guarantee is void if:-
 1. The appliance has been operated in atmospheres contaminated by chlorine, fluorine or other damaging chemicals.
 2. The appliance is subjected to prolonged periods of dampness or condensation.
 3. Any damage to the combustion chamber, heat exchanger or other components due to water or weather damage which is the result of, but not limited to, improper chimney/venting insulation.
 4. Any alteration, wilful abuse, accident or misuse of the product.
14. This guarantee does not apply to:-
 1. Parts that need to be replaced on a routine basis e.g. coals.
 2. Cosmetic blemishes to polished metal and painted surfaces.
 3. Surface crazing to fibre liners.
 4. remote control handsets, switch panels or receivers or discolouring or marking on glass